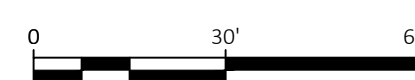
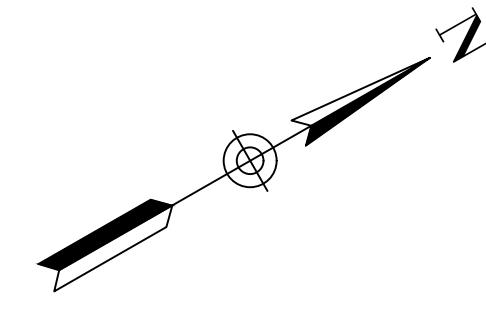
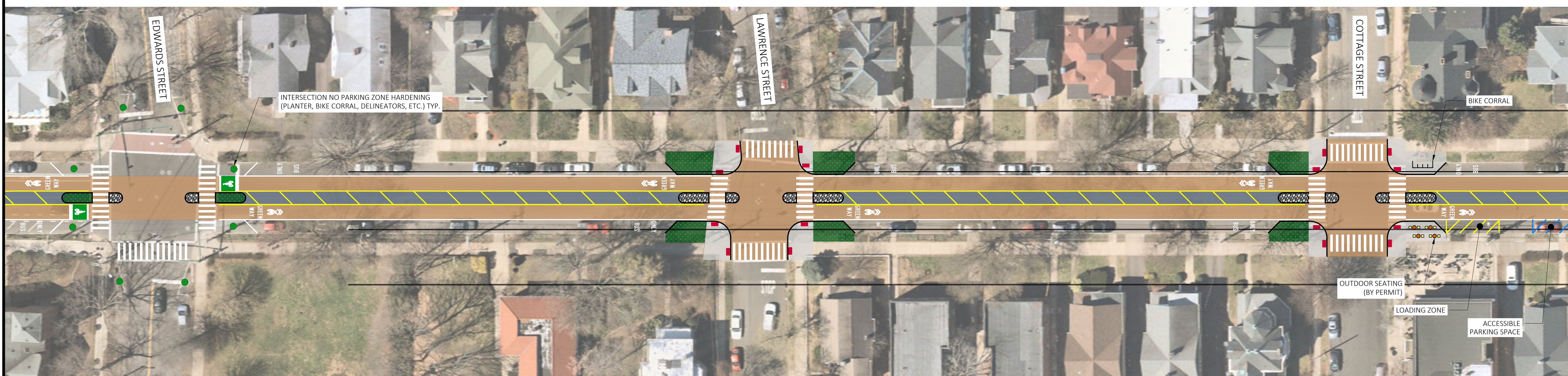
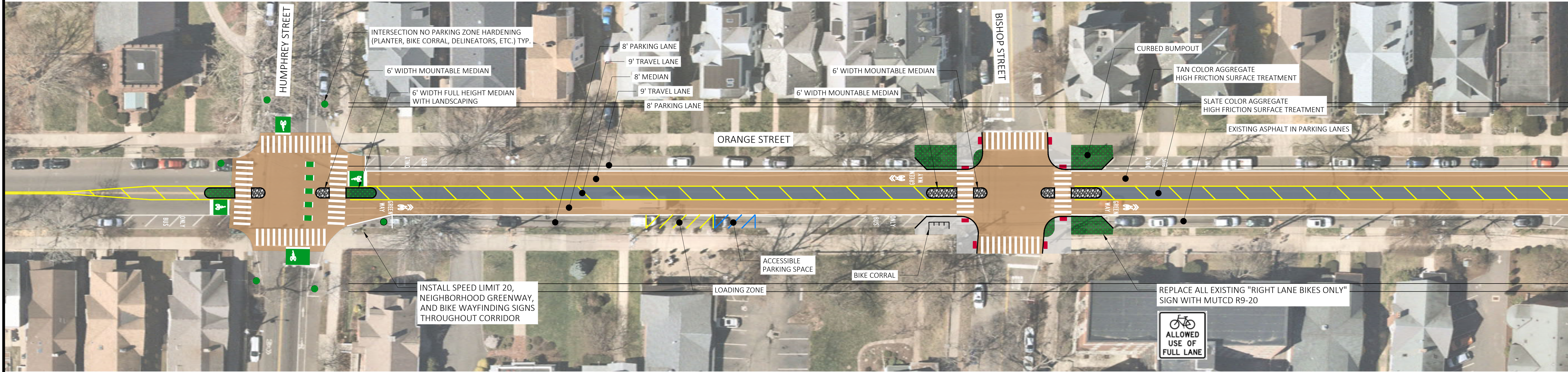


C:\USERS\ADAMW\ONE\DRIVE - CITY OF NEW HAVEN - CT\DOCUMENTS\EXTRA PROJECTS_PAVING LIST 2021\ORANGE ST - FINAL DESIGN.DWG



No.	Revision/Issue	Date



CITY OF NEW HAVEN
DEPARTMENT OF ENGINEERING

THE HONORABLE JUSTIN M. ELICKER, MAYOR
GIOVANNI ZINN, P.E., CITY ENGINEER

Project Name and Address
ORANGE STREET

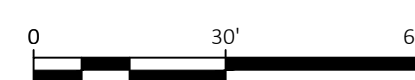
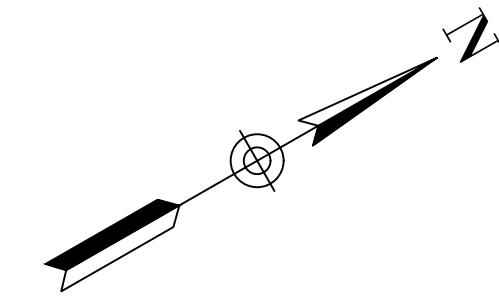
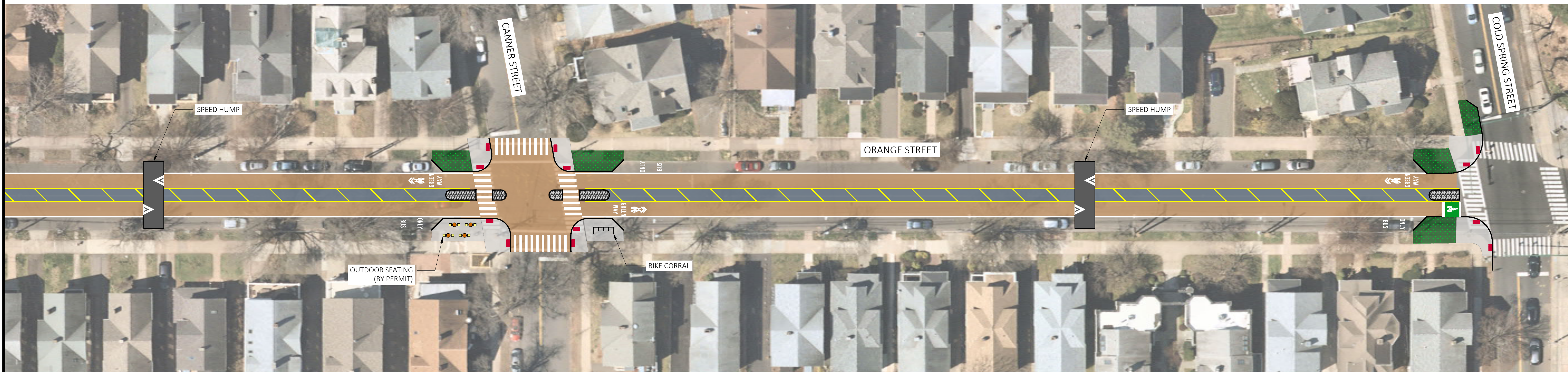
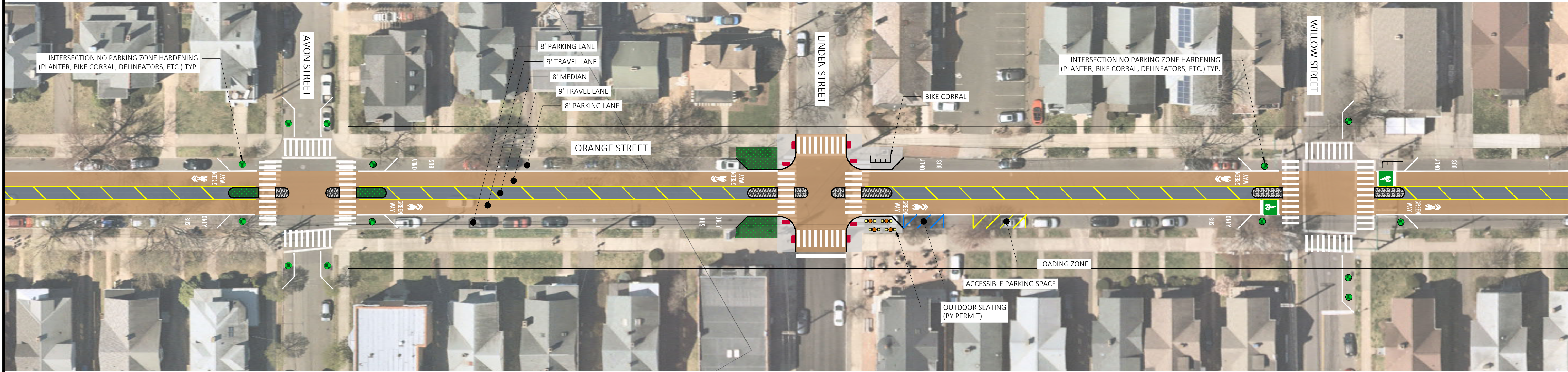
Drawn By: **AW**
Designed By: **AW**
Date: **3/18/2024**
Project Number: **--**

Professional Seal

Sheet Title: **CONCEPT PLAN**
Sheet Number

C-1

C:\USERS\ADAM\ONE DRIVE - CITY OF NEW HAVEN, CT\DOCUMENTS\EXTRA PROJECTS_PAVING LIST 2021\ORANGE ST - FINAL DESIGN.DWG



No.	Revision/Issue	Date



CITY OF NEW HAVEN
DEPARTMENT OF ENGINEERING

THE HONORABLE JUSTIN M. ELICKER, MAYOR
GIOVANNI ZINN, P.E., CITY ENGINEER

Project Name and Address
ORANGE STREET

Drawn By: **AW**
Designed By: **AW**
Date: **3/18/2024**
Project Number: **--**

Professional Seal

Sheet Title: **CONCEPT PLAN**
Sheet Number

C-2