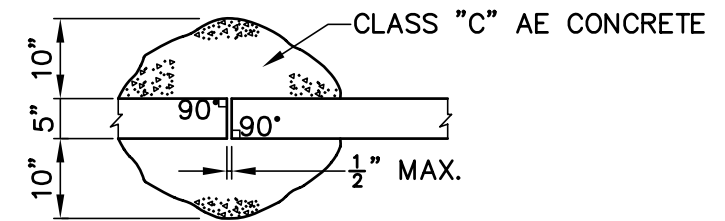


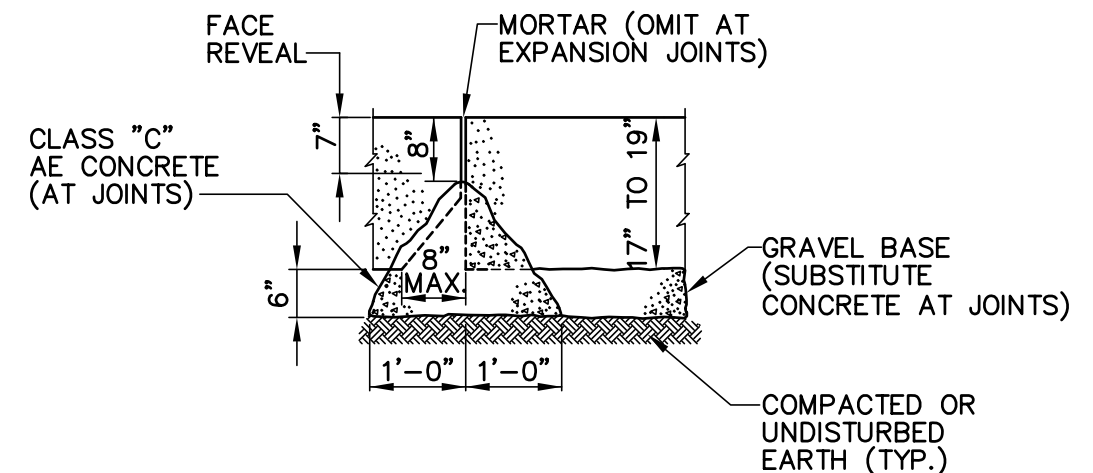
CROSS SECTION

CURB AT STREET CUT

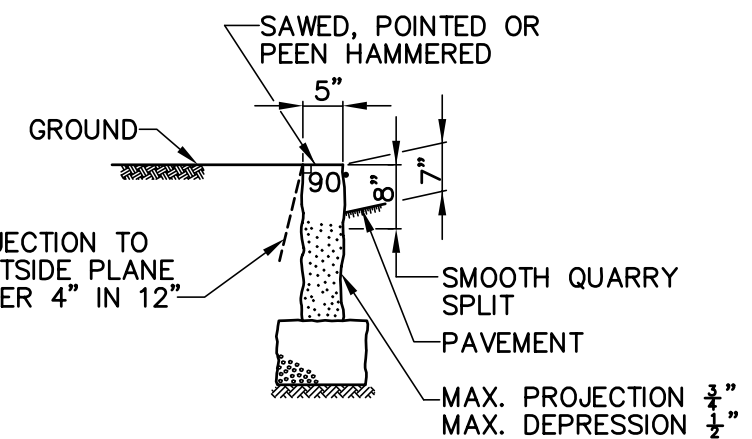
SCALE: 1/2" = 1'-0"



PLAN



PARTIAL ELEVATION



CROSS SECTION

GRANITE CURB DETAIL

SCALE: 1/2" = 1'-0"

NOTES:

1. ALL PIECES SHALL BE 6'-0" LONG EXCEPT FOR CLOSURES WHERE NO PIECE LESS THAN 4'-0" LONG SHALL BE USED.
2. CURBS OF RADIUS LESS THAN 100' SHALL BE CUT OR CAST TO REQUIRED RADIUS AND LENGTH.
3. USE 1/2" PREFORMED EXPANSION JOINT FILLER SPACED NOT MORE THAN 20'-0" O.C. FOR PRECAST OR CAST-IN-PLACE CONCRETE CURB.
4. JOINT BETWEEN GRANITE OR CONCRETE SECTIONS ARE NOT TO EXCEED 1/2".
5. MINIMUM WIDTH OF CURB AT BOTTOM SHALL BE 4" OR NO GREATER THAN 2/3 THE HEIGHT OF THE PIECE.
6. CLASS "C" AE CONCRETE TO BE PLACED AT JOINTS AS SHOWN IN GRANITE CURB DETAIL, AND ALONG STREET TRENCH AS SHOWN IN DETAIL.

MATERIALS:

1. STONE FOR GRANITE CURBING SHALL BE HARD AND DURABLE GRANITE OF LIGHT COLOR AND UNIFORM TEXTURE, NEITHER STRATIFIED NOR LAMINATED. IT SHALL BE FREE FROM SEAMS AND EVIDENCE OF WEAKENING OR DISINTEGRATION AND SHALL HAVE GOOD, SMOOTH SPLIT FACES.
2. THE TOP SURFACE SHALL BE POINTED, PEEN HAMMERED AND SAWED. THE TOP 8 INCHES OF THE FACE SHALL BE SMOOTH QUARRY SPLIT AND FREE FROM DRILL HOLES. THE ENDS OF ALL STONES SHALL BE SQUARE WITH THE PLANES OF THE TOP AND FACE, AND SO FINISHED THAT WHEN STONES ARE PLACED END TO END AS CLOSELY AS POSSIBLE, NO SPACE MORE THAN 1/8 INCH SHALL SHOW IN THE JOINT FOR THE FULL WIDTH OF THE TOP OR THE TOP 8 INCHES OF THE FACE. THE TOP STREET SIDE FACE OF THE CURB SHALL NOT HAVE SHARP EDGES.

**NOTE:

TO BE USED ONLY IN AREAS AS APPROVED BY THE CITY ENGINEER.