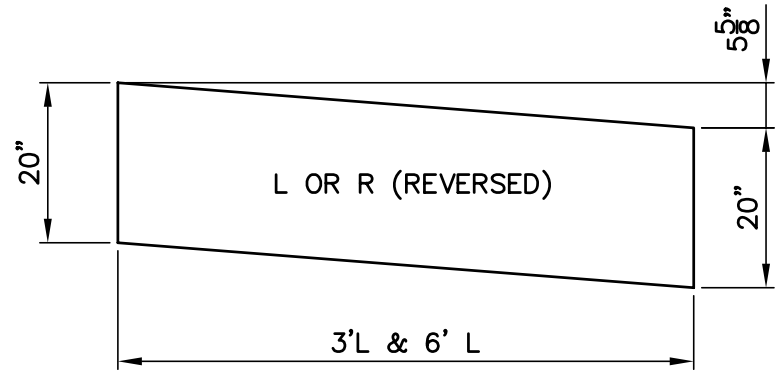
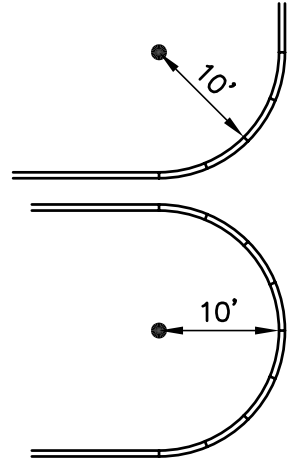


CONCRETE CURBING
20" HIGH WITH SQUARED EDGE FINISH.
STANDARD FEATURES:
DOWEL LIFT HOLE: 1" DIA. x 4" DEPTH
CONTINUOUS REINFORCEMENT
MEETS CONNECTICUT DOT SPECIFICATIONS



TRANSITION END

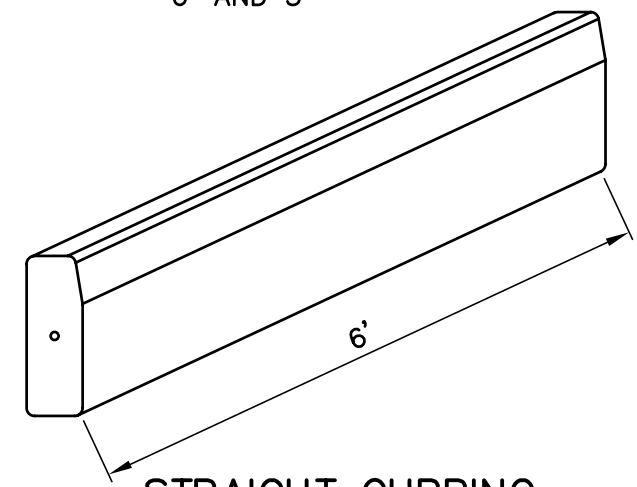
DIMENSIONS:
20" H x 6" WIDE (TOP) x 7" W (BASE)
LENGTHS:
6' AND 3'



RADIUS	NO. PIECES REQ./CIRCLE
2'	4
3'	4
5'	8
10'	16
15'	24
20'	32
25'	40
30'	48
35'	56

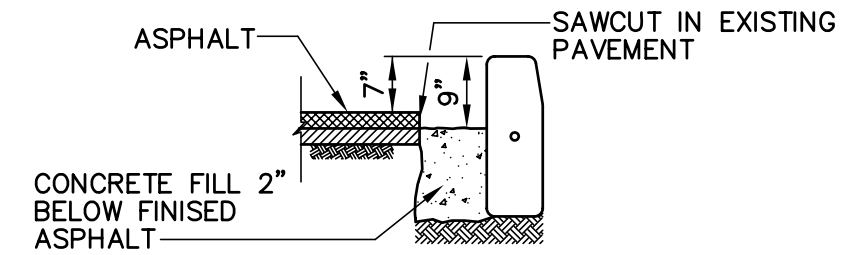
TRANSITION END

DIMENSIONS:
20" H x 6" WIDE (TOP) x 7" W (BASE)
STANDARD RADII:
4' LENGTHS CAN BE ASSEMBLES TO FORM THE FOLLOWING RADII:
2', 3', 5', 10', 15', 20', 25', 30' AND 35'.



STRAIGHT CURBING

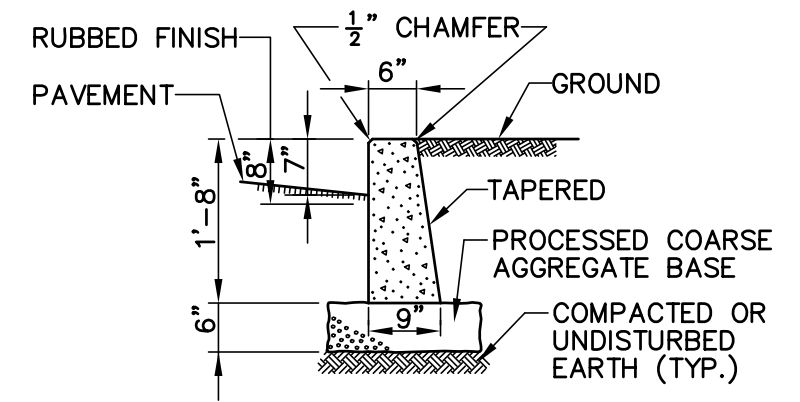
DIMENSIONS:
20" H x 6" WIDE (TOP) x 7" W (BASE)
LENGTHS:
8', 6', 5', 4' AND 3'



CROSS SECTION

CURB AT STREET CUT

SCALE: 1/2" = 1'-0"



CONCRETE CURB DETAIL

CAST IN PLACE**

SCALE: 1/2" = 1'-0"

CONCRETE CURB DETAIL

PRECAST **

NOT TO SCALE

SPECIFICATIONS:

1. CONCRETE CURB SHALL BE MANUFACTURED TO MEET CONNECTICUT DOT SPECIFICATIONS.
2. CONCRETE STRENGTH - 5000 psi.
3. WEIGHT - 135 LBS/LINEAR FOOT.
4. REINFORCED WITH 2-#3 DEFORMED REINFORCED BARS.
5. AIR ENTRAINMENT - 5-7%.
6. 2x6 REBAR - CONNECTING PINS.

TYPICAL CONCRETE CURBING DETAILS

SCALE: 1/2" = 1'-0"

NOTES:

1. ALL PIECES SHALL BE 6'-0" LONG EXCEPT FOR CLOSURES WHERE NO PIECE LESS THAN 4'-0" LONG SHALL BE USED.
2. CURBS OF RADIUS LESS THAN 100' SHALL BE CUT OR CAST TO REQUIRED RADIUS AND LENGTH.
3. USE 1/2" PREFORMED EXPANSION JOINT FILLER SPACED NOT MORE THAN 20'-0" O.C. FOR PRECAST OR CAST-IN-PLACE CONCRETE CURB.
4. JOINT BETWEEN GRANITE OR CONCRETE SECTIONS ARE NOT TO EXCEED 1/2".
5. MINIMUM WIDTH OF CURB AT BOTTOM SHALL BE 4" OR NO GREATER THAN 2/3 THE HEIGHT OF THE PIECE.
6. CLASS "C" AE CONCRETE TO BE PLACED AT JOINTS AS SHOWN IN GRANITE CURB DETAIL.

**NOTE:

TO BE USED ONLY IN AREAS AS APPROVED BY THE CITY ENGINEER.