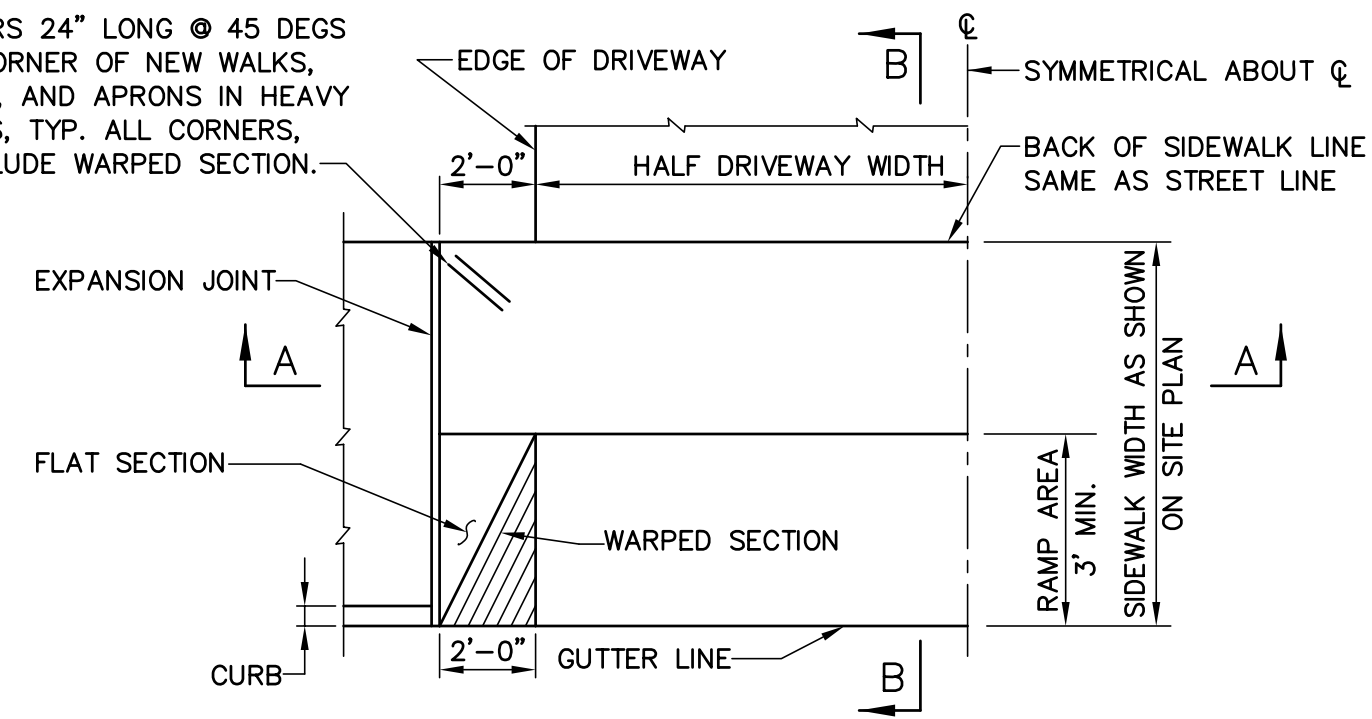
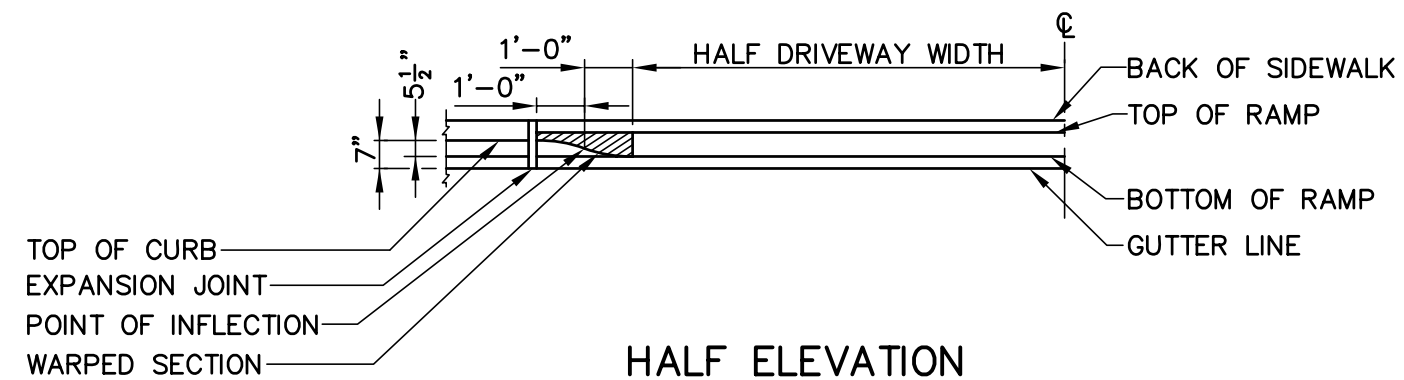


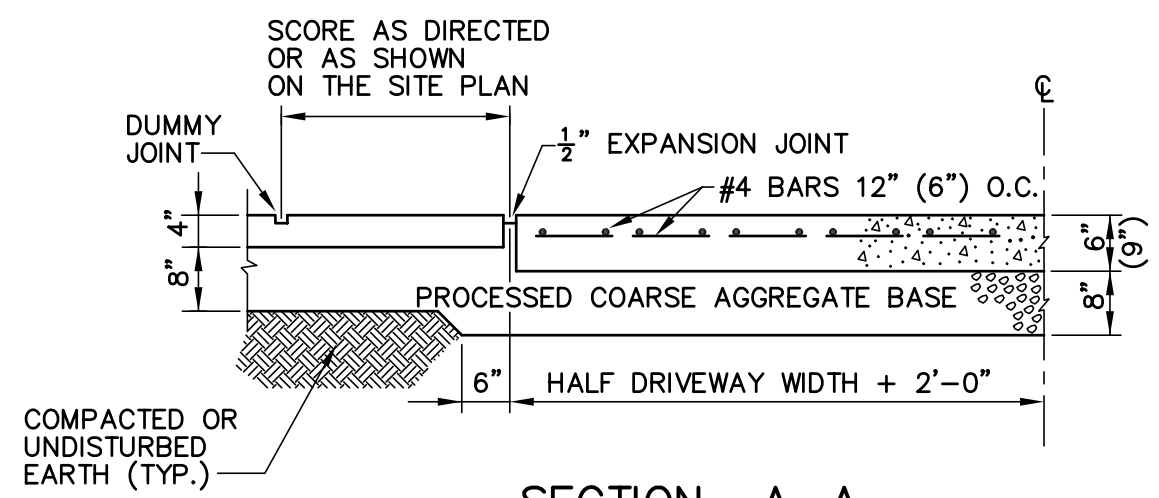
2-# 4 BARS 24" LONG @ 45 DEGS
@ EACH CORNER OF NEW WALKS,
DRIVEWAYS, AND APRONS IN HEAVY
USE AREAS, TYP. ALL CORNERS,
WHICH INCLUDE WARPED SECTION.



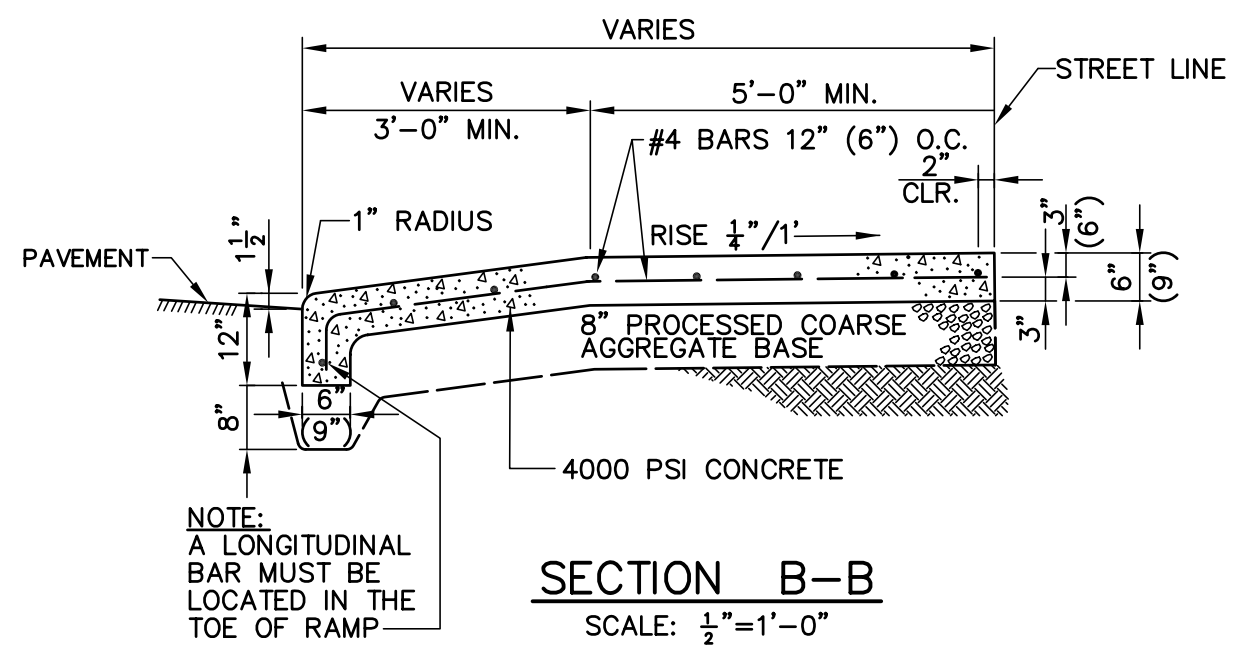
HALF PLAN
SCALE: 1/4"=1'-0"



HALF ELEVATION
SCALE: 1/4"=1'-0"



SECTION A-A
SCALE: 1/2"=1'-0"



SECTION B-B
SCALE: 1/2"=1'-0"

TYPICAL CONCRETE DRIVEWAY DETAILS

AS SHOWN

NOTE: THE NUMBERS IN PARENTHESES APPLY ONLY TO COMMERCIAL DRIVEWAYS