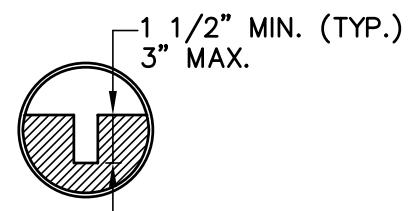


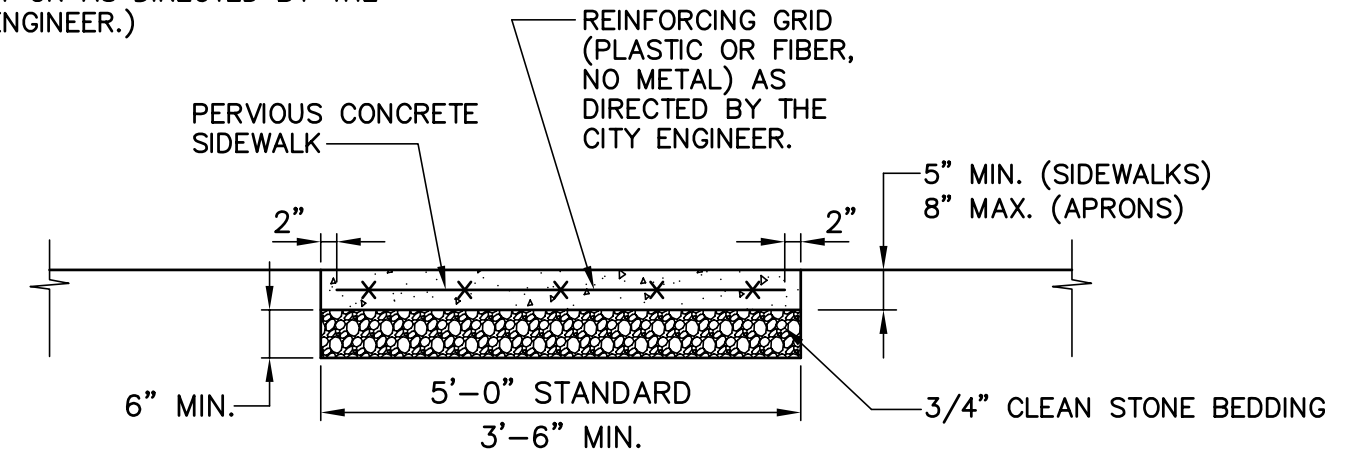
**PLAN VIEW**  
SCALE  $\frac{1}{8}'' = 1'-0''$

**SIDEWALK NOTES:**  
1. UNLESS OTHERWISE SPECIFIED OR DIRECTED BACK OF WALK TO BE ON STREET LINE

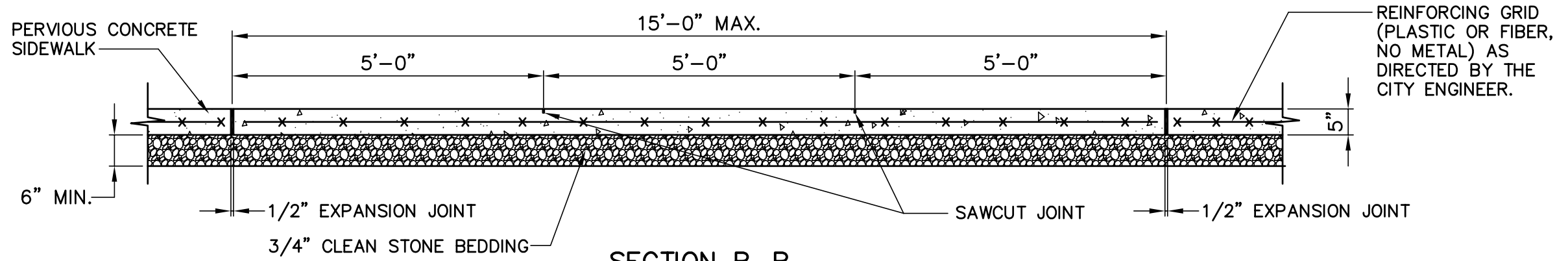


**SAWCUT JOINT**

NOT TO SCALE  
(SAWCUT AFTER PERVIOUS CONCRETE HAS HAD A MINIMUM OF 24 HOURS TO SET OR AS DIRECTED BY THE CITY ENGINEER.)



**SECTION A-A**



**SECTION B-B**

**PERVIOUS CONCRETE SIDEWALK DETAIL**

SCALE  $\frac{1}{2}'' = 1'-0''$

**NOTES:**  
1. MATERIALS, METHODS OF INSTALLATION, CURING, TESTING, SHALL CONFORM TO SECTION 2.17 PORTLAND CEMENT PERVIOUS CONCRETE PAVEMENT OR CURRENT SPECIFICATIONS FOR SUCH WORK.