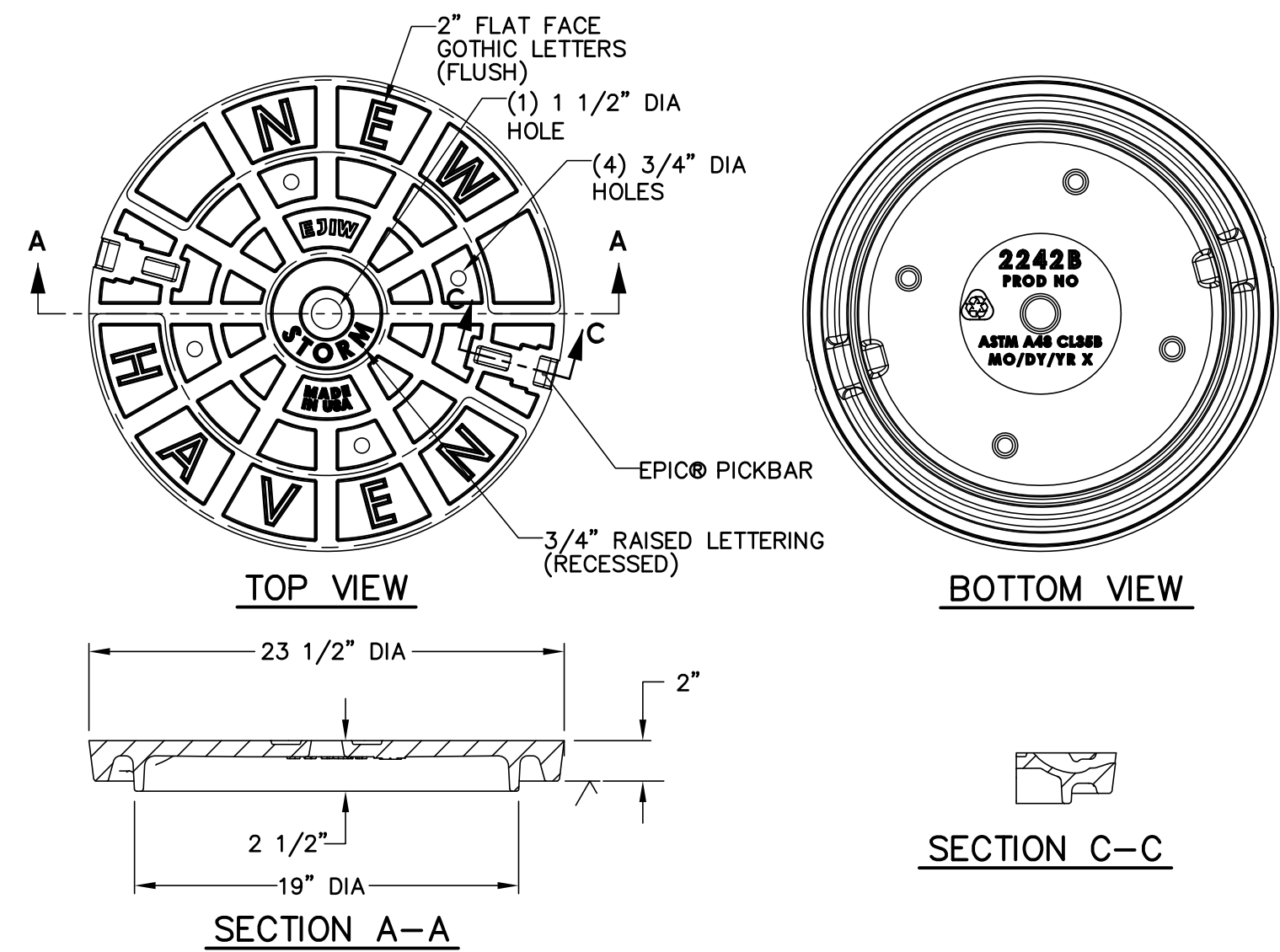


ADD 02/27/12 - D.L.S.



MANHOLE COVER

SCALE: 1 1/2" = 1'-0"

USE ABOVE OR EQUAL

2242B COVER

Corporate Headquarters
301 Spring Street
PO Box 439
East Jordan, MI
49727-0439
800.874.4100
E GROUP

Call Today for More Information **800.626.4653** **EJW EAST JORDAN** IRON WORKS EST. 1883 WE COVER YOUR INFRASTRUCTURE® www.ejiw.com MADE IN THE USA

Weights (lbs./kg.), dimensions (inches/mm.), and drawings provided for your guidance. We reserve the right to modify specifications without prior notice. Uncontrolled distribution.

CONFIDENTIAL: This drawing is the property of East Jordan Iron works, Inc., and embodies confidential information, registered marks, trade secret information, and/or know how that is the property of East Jordan Iron Works, Inc. ©Copyright 2009 East Jordan Iron Works, Inc.

DRAWING DETAILS
ORIGINAL DRAWING: DEW 11/2/2010
REVISED BY: DEF 8/10/2011

PRODUCT NUMBER
00224223
DESIGN FEATURES
MATERIALS
COVER-GRAY IRON
ASTM A48 CL35B
DESIGN LOAD
HEAVY DUTY
COATING
UNDIPPED
OPEN AREA
N/A
✓ DESIGNATES MACHINE SURFACE