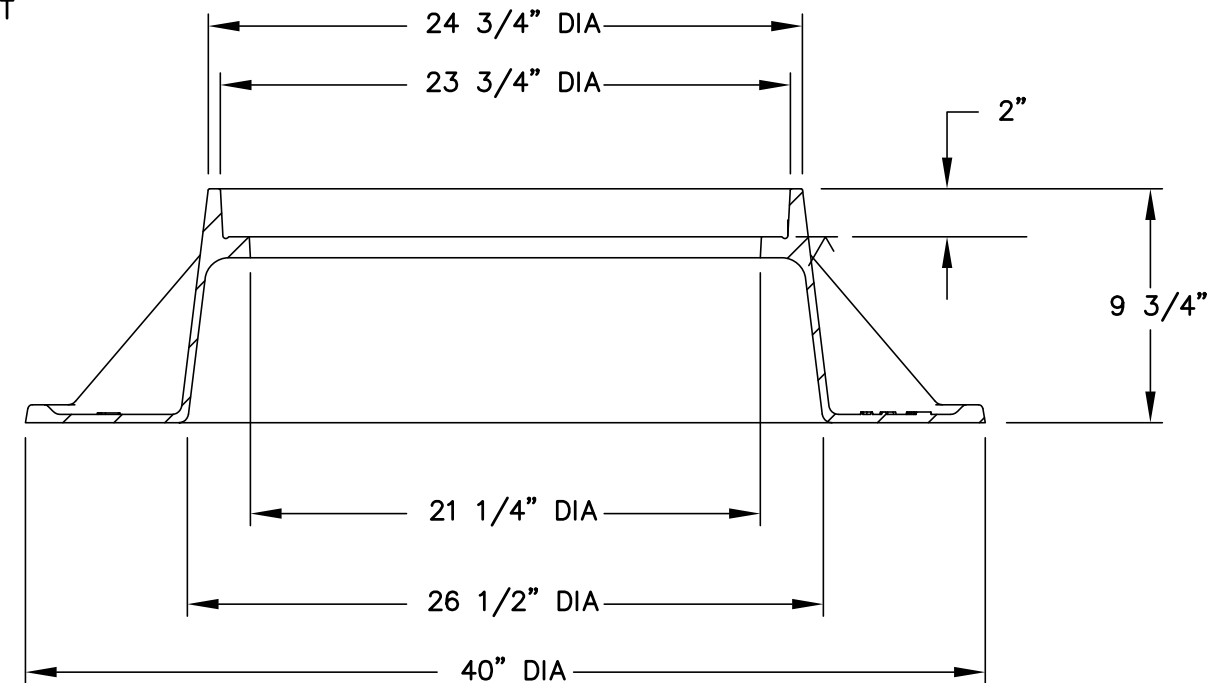
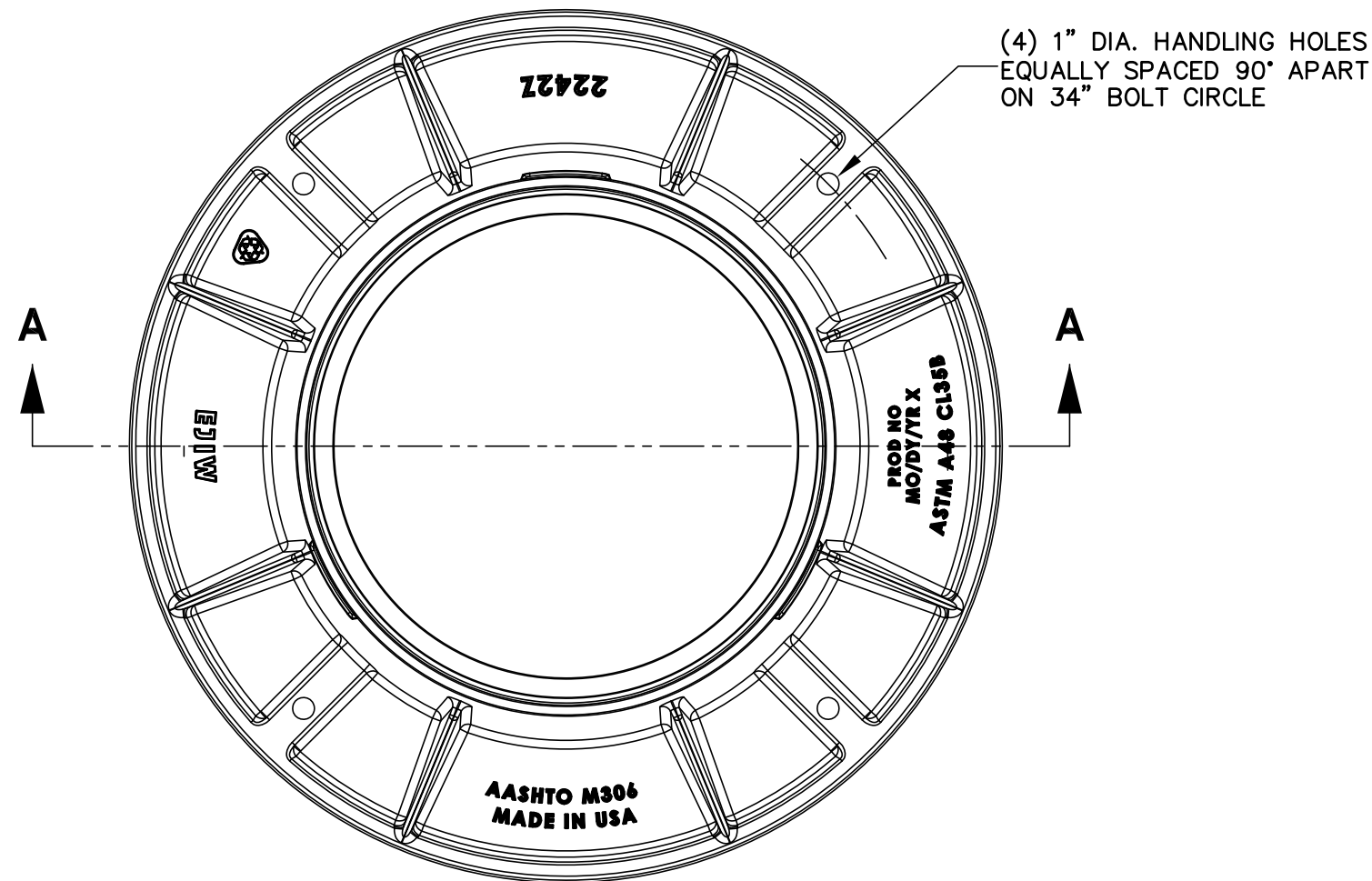


ADD 02/27/12 - D.L.S.



SECTION A-A

TOP VIEW

MANHOLE FRAME

SCALE: 1 1/2" = 1'-0"

USE ABOVE OR EQUAL

2242Z FRAME

Corporate
Headquarters
301 Spring Street
PO Box 439
East Jordan, MI
49727-0439
800.874.4100



Call Today for
More Information

800.626.4653

EJW EAST JORDAN
IRON WORKS EST. 1883
WE COVER YOUR INFRASTRUCTURE®

www.ejiw.com
MADE IN THE USA

DRAWING DETAILS

ORIGINAL DRAWING: DEW 8/10/2010
REVISED BY: DEF 9/20/2011

PRODUCT NUMBER

00224211

DESIGN FEATURES

MATERIALS
COVER-GRAY IRON
ASTM A48 CL35B
DESIGN LOAD
HEAVY DUTY
COATING
UNDIPPED
OPEN AREA
N/A
✓ DESIGNATES MACHINE SURFACE

Weights (lbs./kg.), dimensions (inches/mm.), and drawings provided for your guidance.
We reserve the right to modify specifications without prior notice.
Uncontrolled distribution.

CONFIDENTIAL: This drawing is the property of East Jordan Iron works, Inc., and embodies confidential information, registered marks, trade secret information, and/or know how that is the property of East Jordan Iron Works, Inc. ©Copyright 2009 East Jordan Iron Works, Inc.