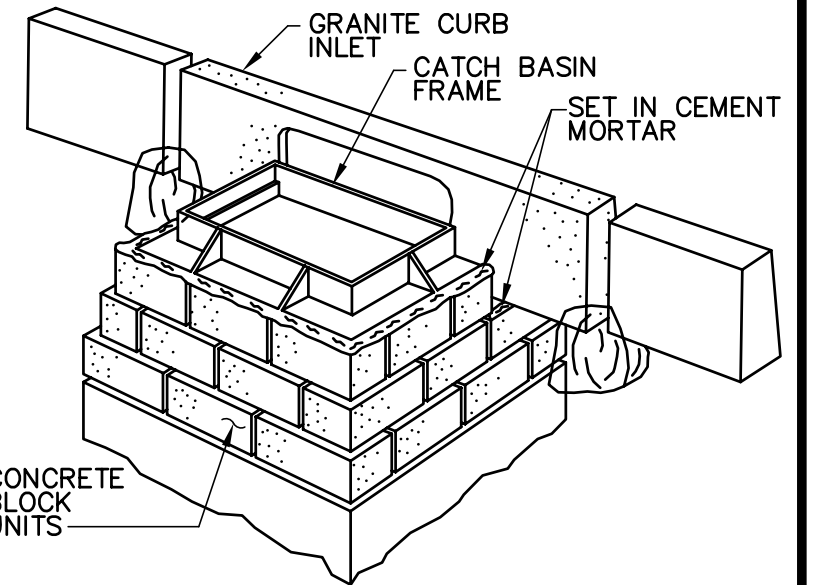
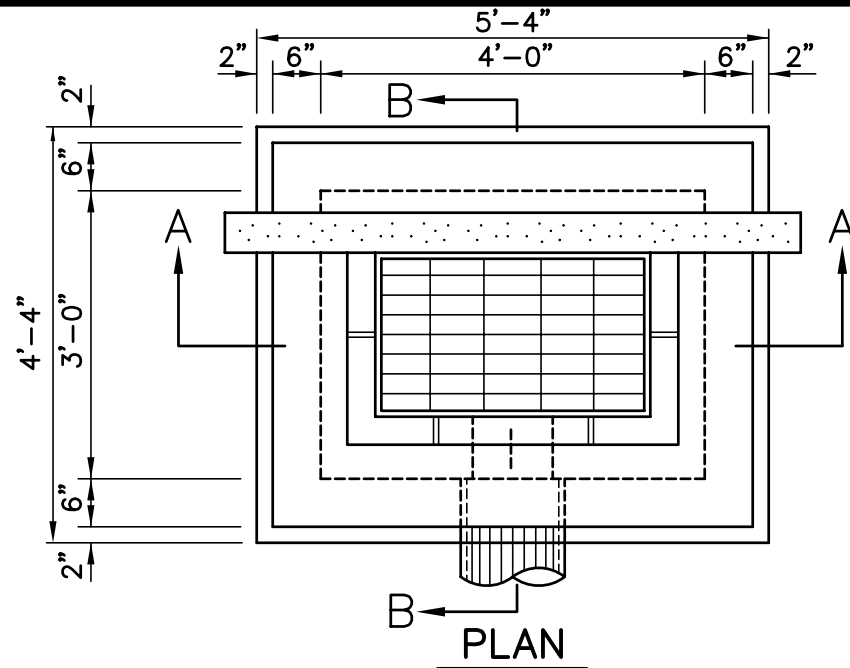
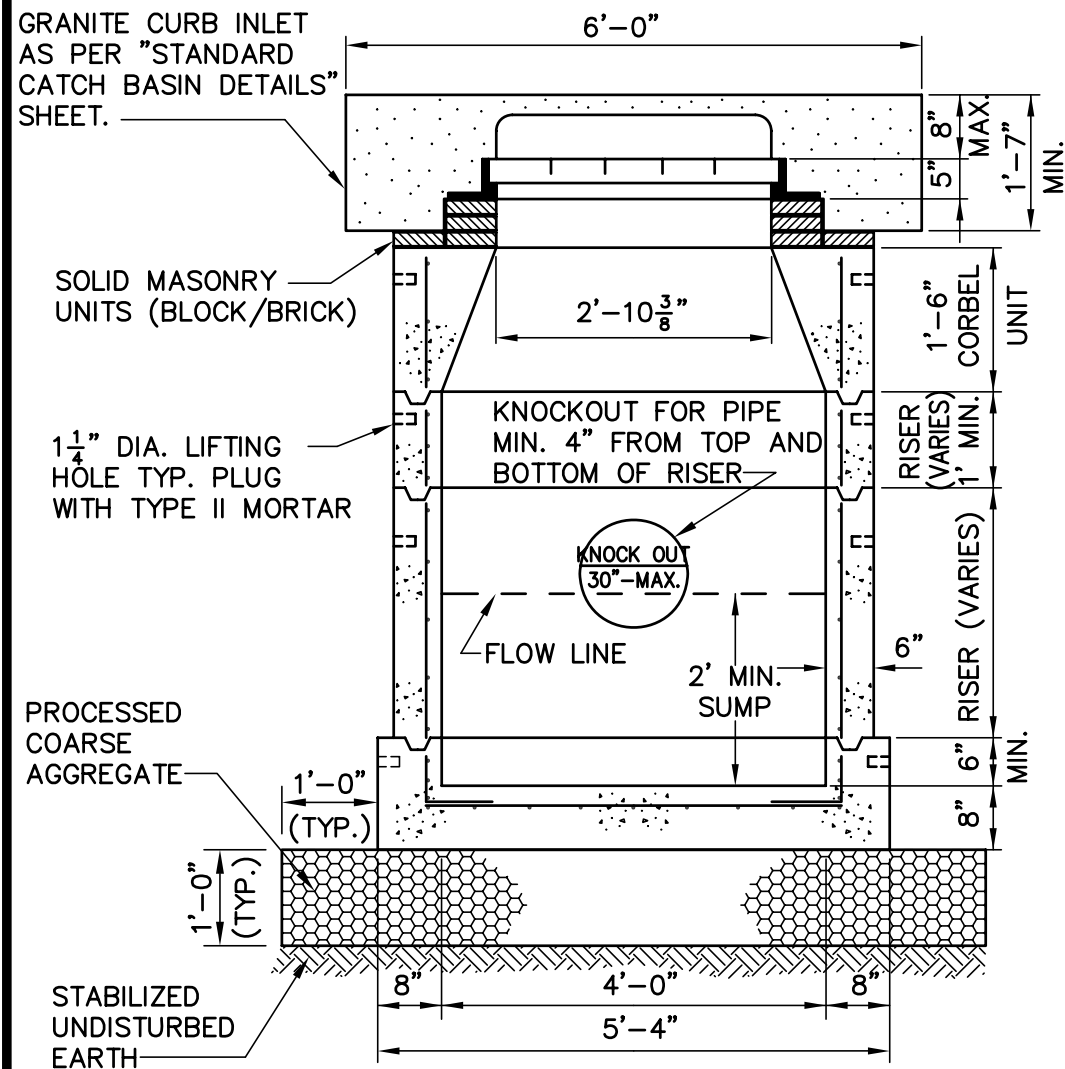


GENERAL NOTES

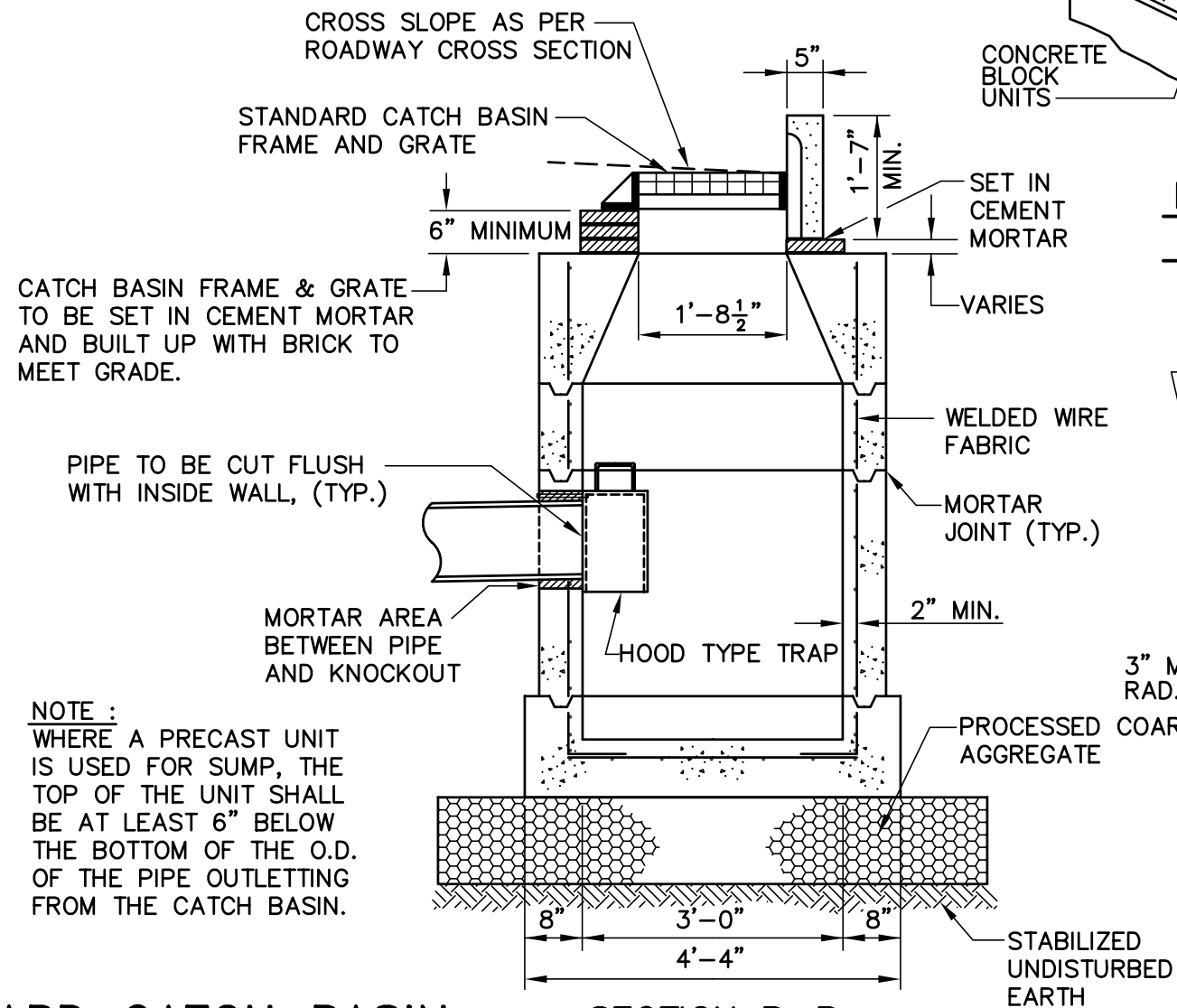
1. THIS SHEET IS SUPPLEMENTAL TO THE STANDARD SHEET OF THESE CONTRACT DRAWINGS ENTITLED "STANDARD CATCH BASIN DETAILS".
2. "STANDARD CATCH BASIN DETAILS" SHEET SHALL BE THE BASIS FOR CONSTRUCTION OF ALL CATCH BASIN AND DROP INLET DETAILS WHICH ARE NOT SHOWN ON THIS SHEET INCLUDING, BUT NOT LIMITED TO:
"CATCH BASIN HOOD AND APPURTENANCES"
"GRANITE CURB INLET"
"TYPE C L DROP INLET"
"TYPE C-L CATCH BASIN"
3. THIS SHEET IS FOR THE PURPOSE OF IDENTIFYING THE CHARACTERISTICS OF THE PRECAST ITEMS WHICH MAY BE UTILIZED BY THE CONTRACTOR IN LIEU OF THE MASONRY CONSTRUCTION DETAILED ON THE "STANDARD CATCH BASIN DETAILS" SHEET.
4. PRECAST CATCH BASINS AND DROP INLETS SHALL CONFORM TO THE REQUIREMENTS OF AASHTO M199 (ASTM C478).



**PERSPECTIVE OF
CATCH BASIN**
NO SCALE

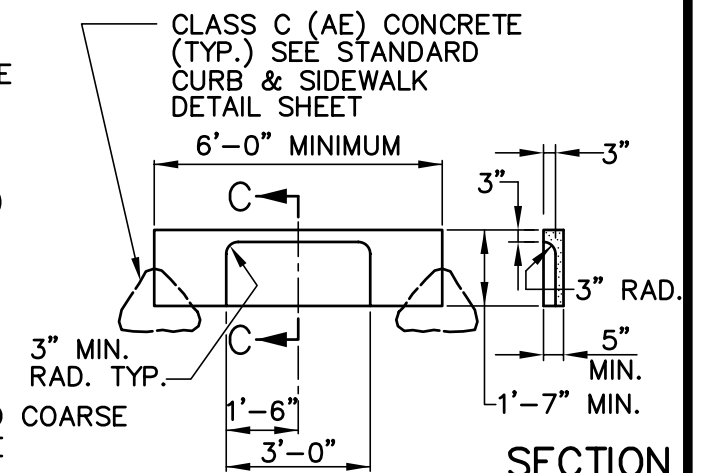


**SECTION A-A STANDARD CATCH BASIN
TYPE "C" (SHOWN) (TYPE "C-L" SIMILAR)**
NO SCALE



NOTE :
WHERE A PRECAST UNIT IS USED FOR SUMP, THE TOP OF THE UNIT SHALL BE AT LEAST 6" BELOW THE BOTTOM OF THE O.D. OF THE PIPE OUTLETTING FROM THE CATCH BASIN.

SECTION B-B



**GRANITE CURB
INLET**
NO SCALE