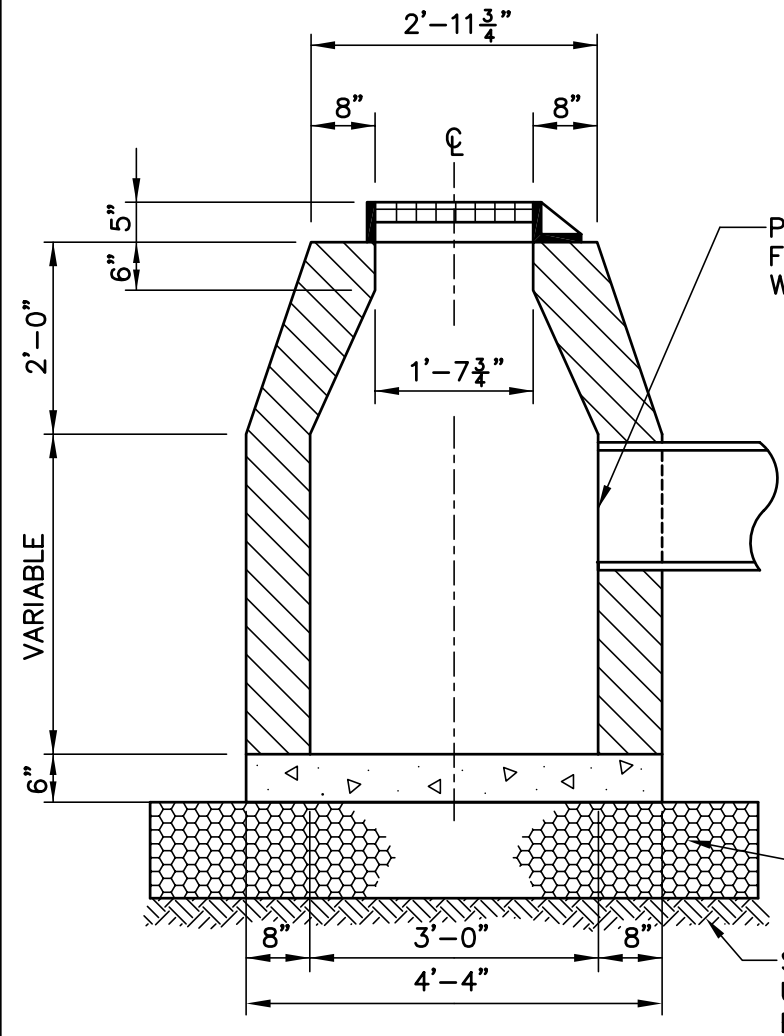
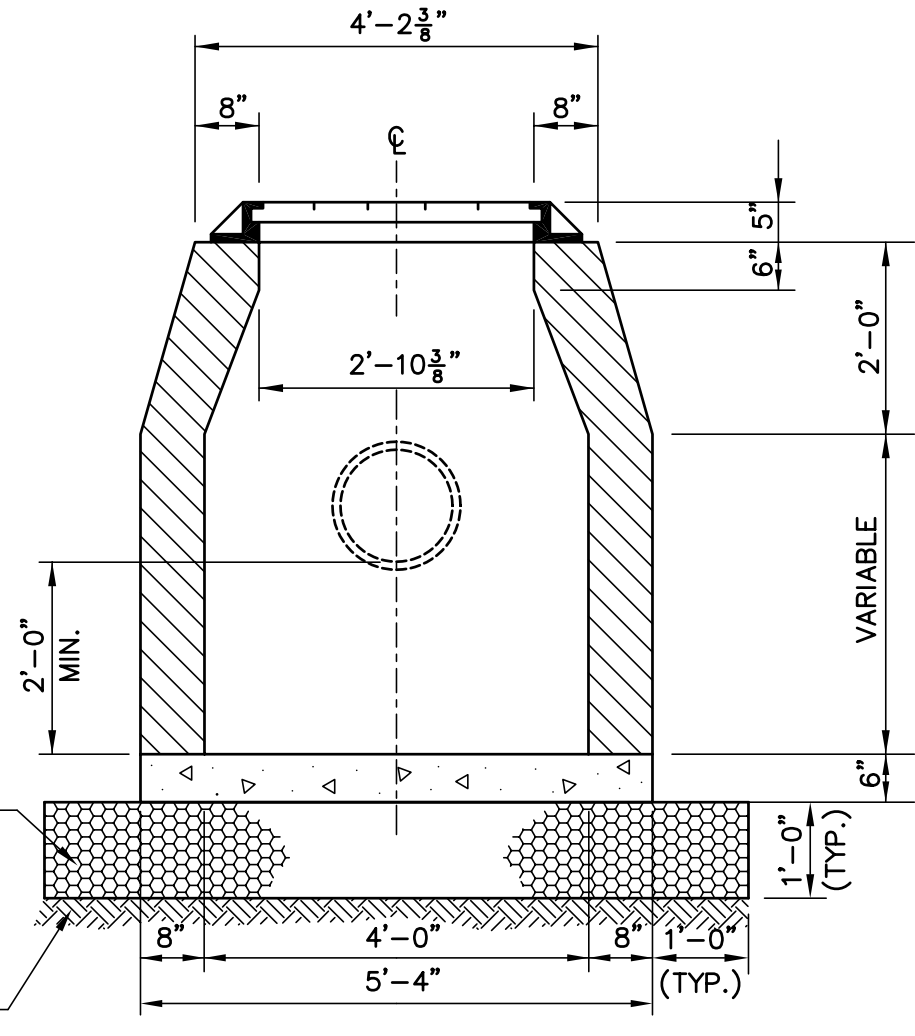


PLAN



SECTION A-A



SECTION B-B

TYPE "C-L" CATCH BASIN

SCALE: $\frac{1}{2}$ "=1'-0"

NOTES

1. HOOD TYPE TRAP NOT SHOWN.
2. NOTES NUMBERS ② ⑤ ⑥ ⑦ ⑧ & ⑨ APPLY TO THE DETAILS.

- ① GRANITE CURB INLET
SEE DEATIL THIS SHEET
- ② STANDARD CATCH BASIN
FRAME AND GRATE
- ③ CROSS SLOPE AS
PER CROSS SECTION
- ④ SET IN CEMENT
MORTAR
- ⑤ UNLESS OTHERWISE
ORDERED, MIN. DEPTH
UNDER TRAVELWAY:
1'-7 1/2" MIN.
DEPTH UNDER
UNTRAVELED AREA:
0'-3"
- ⑥ HOOD TYPE TRAP
WHERE REQUIRED (SEE
DETAIL NH-19)
- ⑦ BRICK OR CONCRETE
BLOCK UNITS (TYP.)
- ⑧ CLASS B (AE)
CONCRETE (TYP.)
PRECAST OR POURED
IN PLACE. WHERE A
PRECAST UNIT IS USED
FOR SUMP, THE TOP OF
THE UNIT SHALL BE AT
LEAST 6" BELOW THE
BOTTOM OF THE PIPE
OUTLETING FROM THE
CATCH BASIN
- ⑨ STANDARD CATCH
BASIN FRAME
AND GRATE