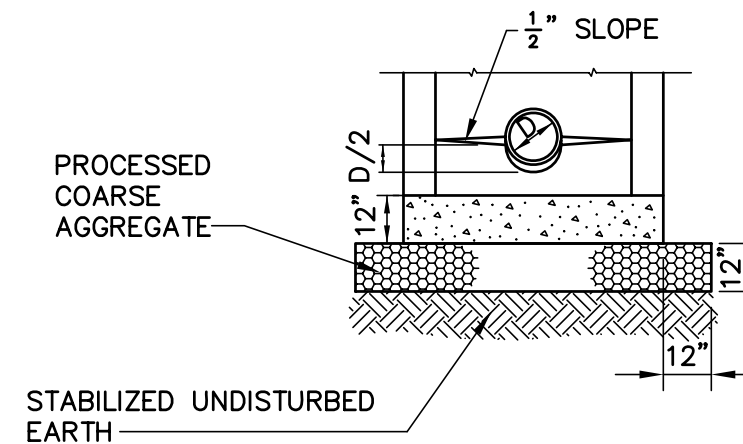
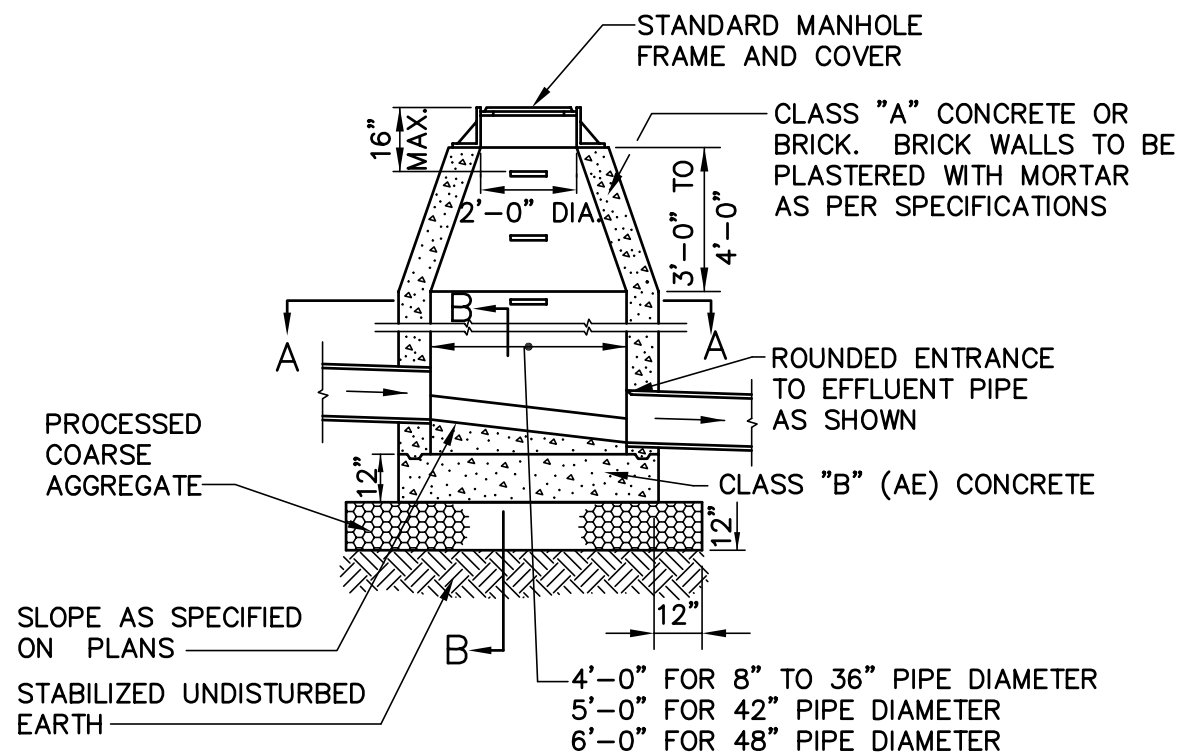


VERTICAL SECTION
STANDARD SHALLOW SANITARY MANHOLE



SECTION B-B



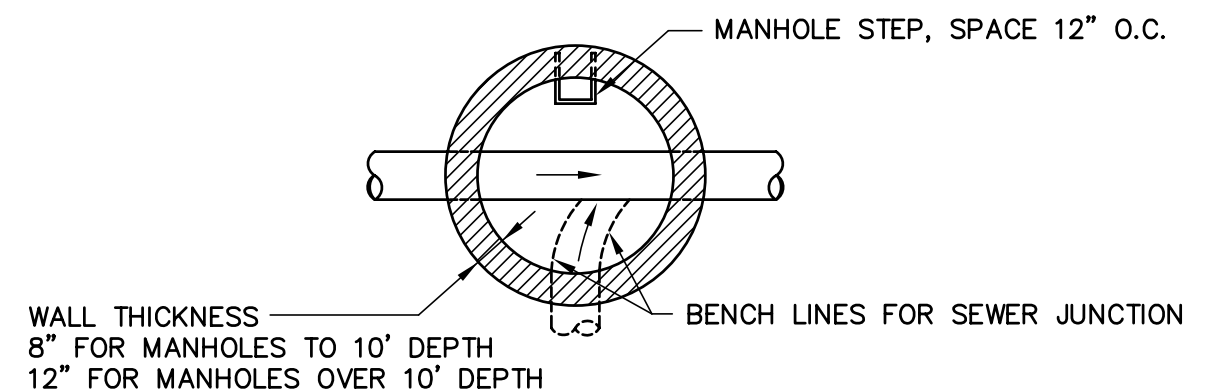
VERTICAL SECTION

STANDARD SANITARY MANHOLES

SCALE: $\frac{1}{4}'' = 1'-0''$

NOTE :

ALL MANHOLE STEPS TO BE COPOLYMER
POLYPROPYLENE PLASTIC STEEL REINFORCED.



SECTION A-A