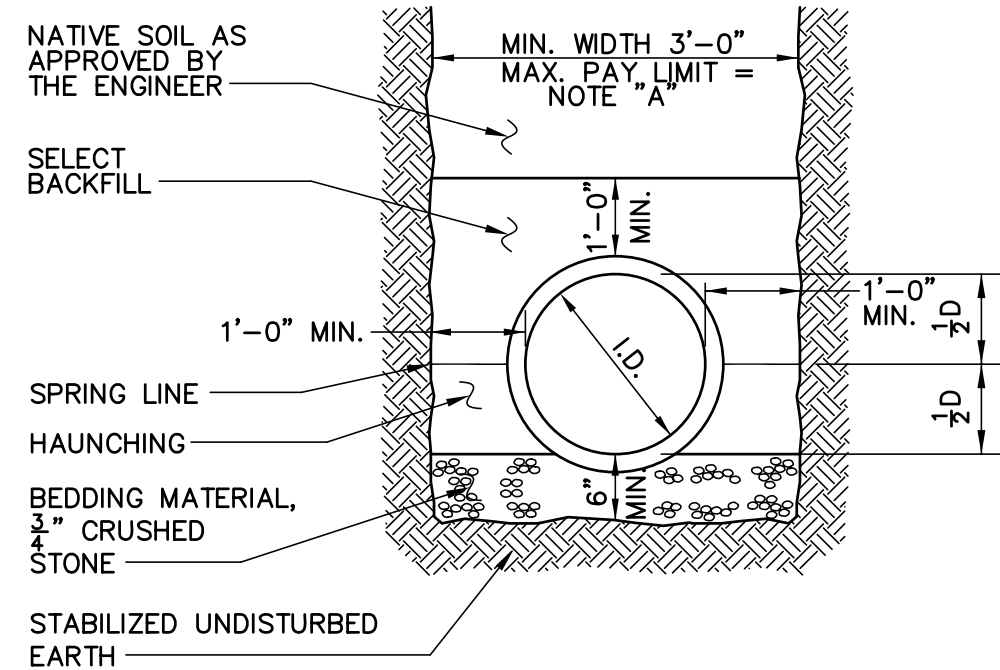


SECTION IN ROCK CUT



CLASS C BEDDING

TYPICAL PIPE BEDDING

NO SCALE

IF APPLICABLE:

NOTE "A"

TRENCH PAY LIMIT

1. FOR PIPE LESS THAN 36"  $\phi$   
PAY LIMIT = I.D. + 2'-0".
2. FOR PIPE 36"  $\phi$  OR OVER,  
PAY LIMIT = I.D. + 3'-0".
3. FOR SHEETED TRENCH, MAX.  
WIDTH ALLOWED AND  
MAX. PAY LIMIT SHALL  
BE I.D. + 4'-0".

NOTE "B"

PAYMENT WILL BE MADE  
UNDER THE APPLICABLE  
SECTIONS OF THE  
SPECIFICATIONS.

NOTE:

ALL PIPING SHALL BE LAID WITH CARE IN ACCORDANCE WITH CT DOT STANDARD SPECIFICATIONS FORM 814-A OR FORM 815 AS AMENDED. WHERE POLYETHYLENE PIPE IS USED, APPROPRIATE BACKFILL SHALL BE APPROVED BY THE CITY ENGINEER OR AS RECOMMENDED BY THE MANUFACTURER FOR SAID APPLICATION.