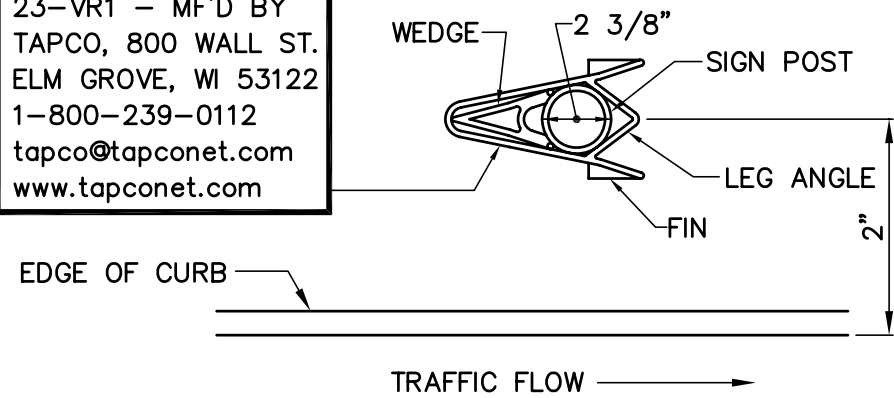


23-VR1 - MF'D BY
TAPCO, 800 WALL ST.
ELM GROVE, WI 53122
1-800-239-0112
tapco@tapconet.com
www.tapconet.com

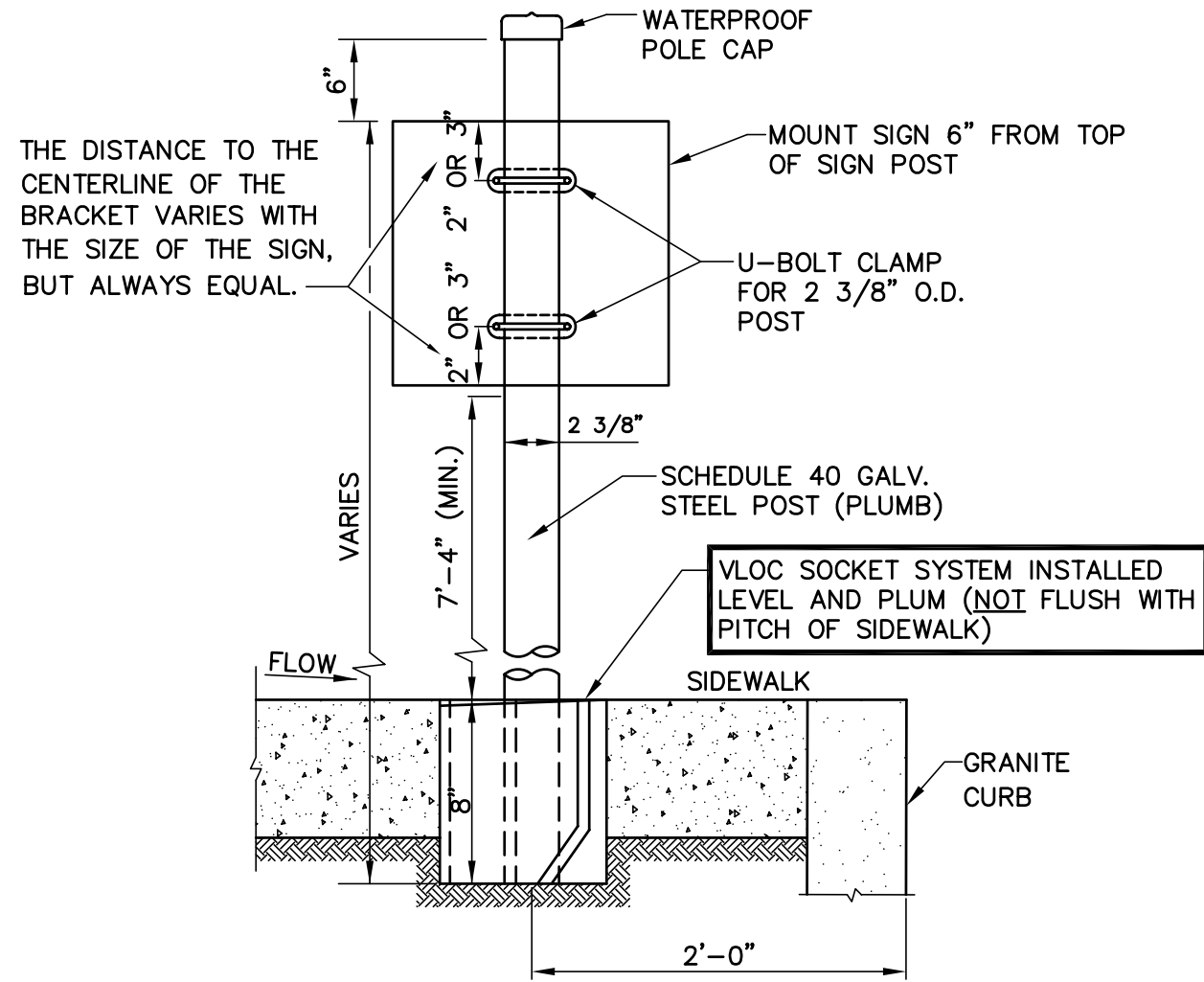


NOTE:
CONTRACTOR SHALL SUPPLY TO THE CITY OF NEW HAVEN ONE 24 FOOT LENGTH OF 2-3/8" O.D. SCHEDULE 40 GALVANIZED STEEL PIPE FOR EACH TWO (OR PART THEREOF) V-LOCS INSTALLED.

CITY OF NEW HAVEN DEPARTMENT OF ENGINEERING		DRIVE: K:\ENGINEER\DWG
RICHARD H. MILLER, P.E., L.S. 9886 CITY ENGINEER		FILE: CITYSTD\DETAILS\2009 DETAILS
		DATE: DEC. 1, 2009
		DRAWING NO.: STD-NH-25

VLOC SOCKET SYSTEM

N.T.S.



VLOC AND SIGN POST DETAIL

N.T.S.