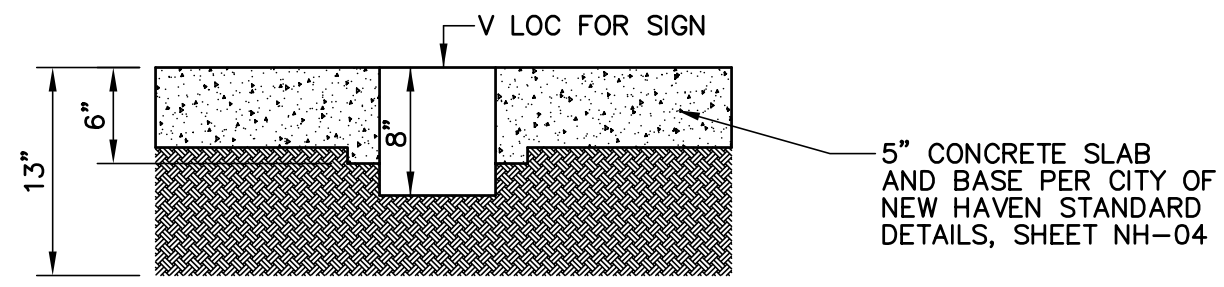
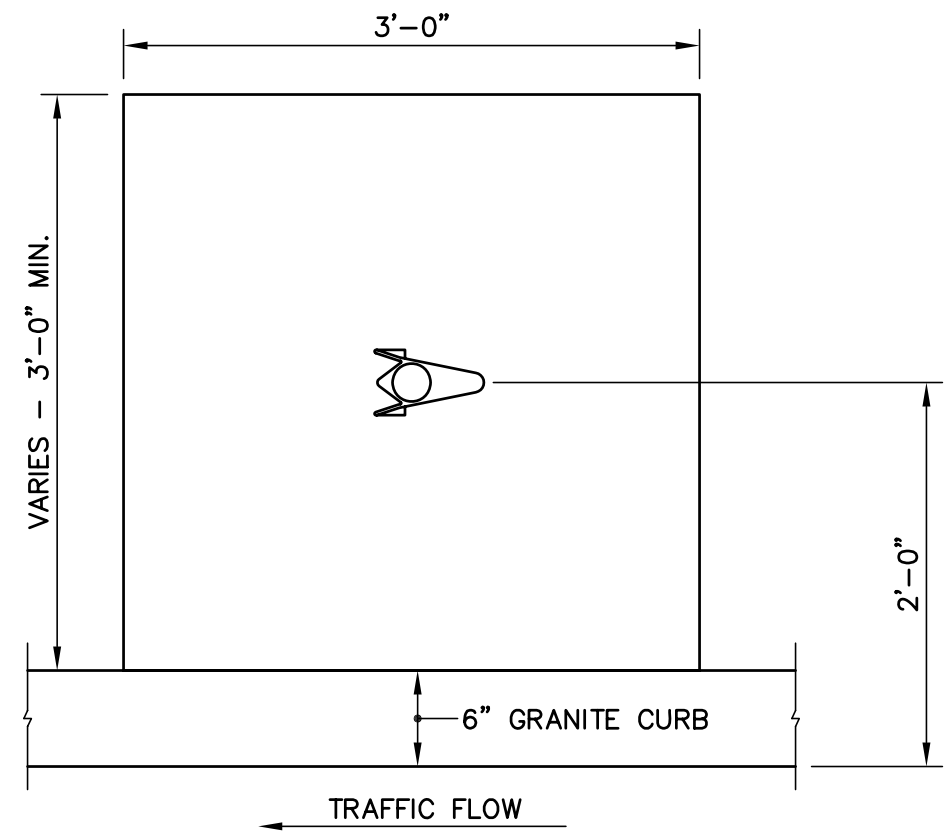
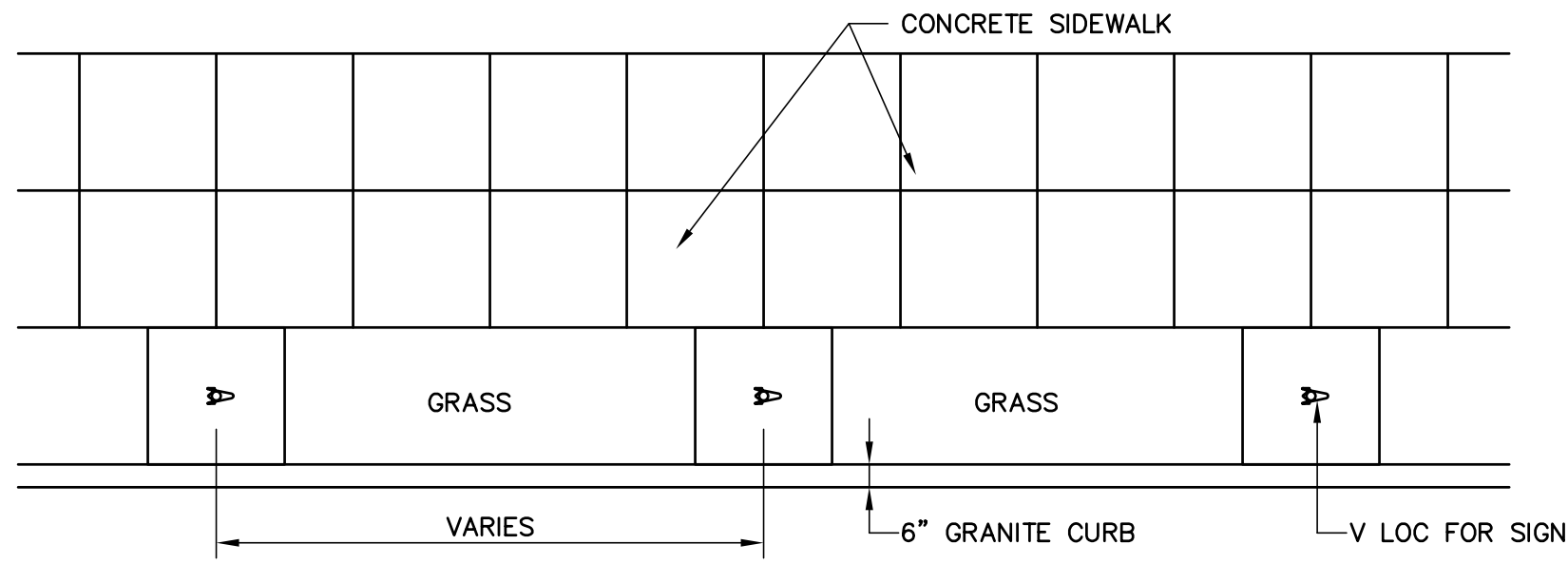


**CITY OF NEW HAVEN
DEPARTMENT OF ENGINEERING**

RICHARD H. MILLER, P.E., L.S. 9886
CITY ENGINEER

DRIVE: K:\ENGINEER\DWG
FILE: CITYSTD\DETAILS\2009 DETAILS
DATE: DEC. 1, 2009
DRAWING NO.: **STD-NH-25A**



VLOC IN GRASS STRIP
N.T.S.