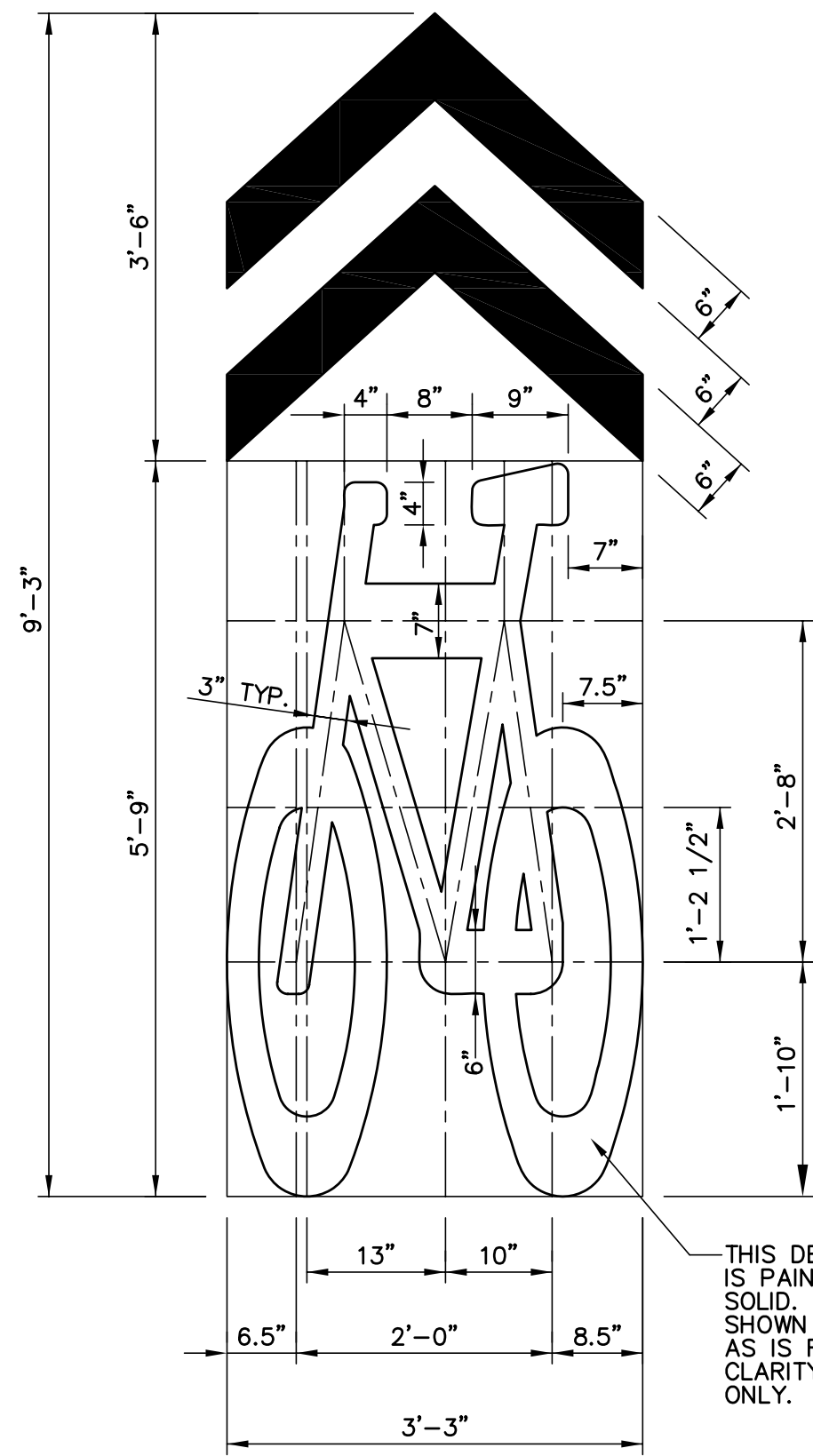
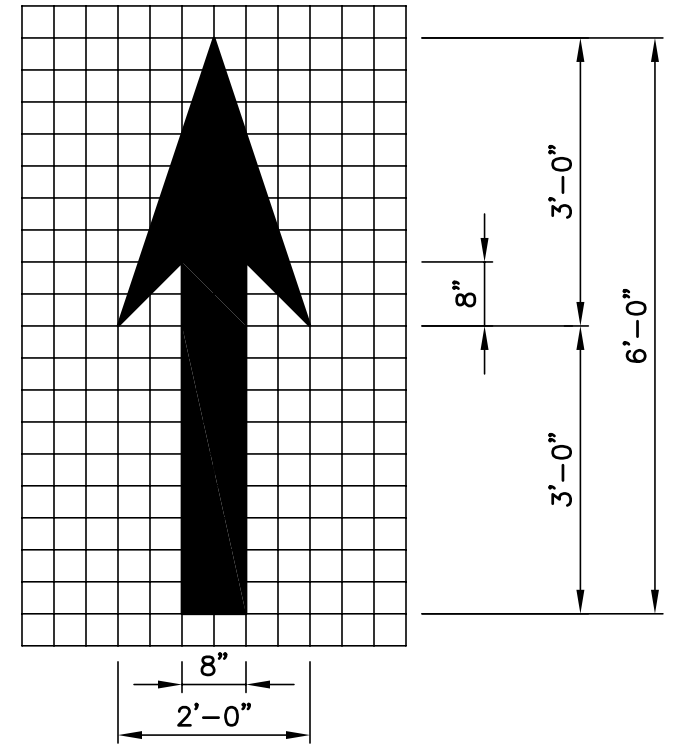


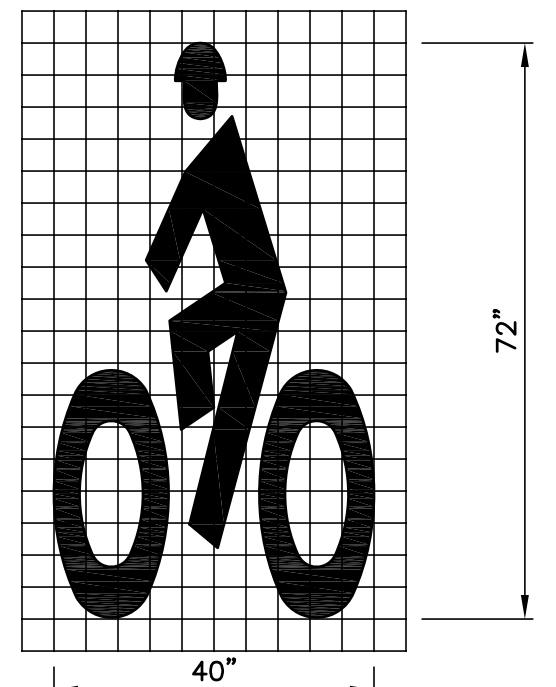
SHARED LANE MARKING DETAIL
SCALE: $\frac{1}{4}"=1'-0"$



SHARED BIKE LANE SYMBOL DETAIL
SCALE: $\frac{3}{4}"=1'-0"$



BIKE LANE ARROW DETAIL
SCALE: $\frac{1}{2}"=1'-0"$



BIKE LANE ARROW DETAIL
SCALE: $\frac{1}{2}"=1'-0"$

THIS DETAIL IS PAINTED SOLID. SHOWN HERE AS IS FOR CLARITY ONLY.

BIKE LANE TRAFFIC MARKING DETAILS
SCALE: AS NOTED

- SHARED LANE MARKING GUIDELINES:**
1. SHARROW MARKINGS SHOULD BE PLACED A MINIMUM OF 11 FEET FROM FACE OF CURB WHERE STREET PARKING IS PERMITTED. ROAD SPEED MUST BE LESS THAN 35 MPH.
 2. SHARROW SHOULD BE PLACED RIGHT AFTER AN INTERSECTION, 25 FEET BEYOND THE PEDESTRIAN CROSSING.
 3. NO SHARROW MAY BE PLACED WITHOUT PRIOR APPROVAL FROM THE CITY ENGINEER AND THE DEPARTMENT OF TRANSPORTATION, TRAFFIC AND PARKING.