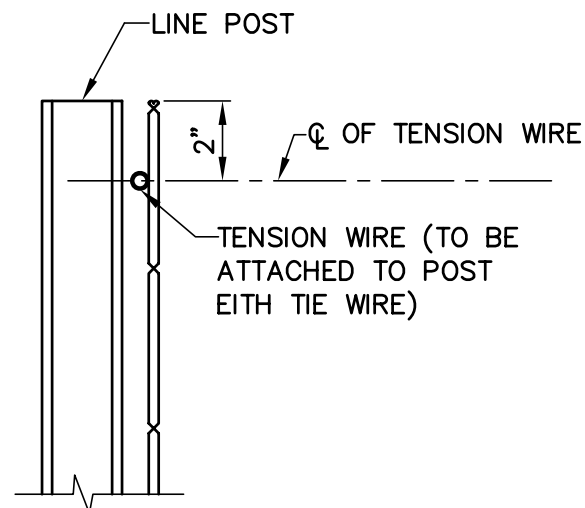


DETAIL "C"
ATTCHMENT OF BRACE RAILS
TO LINE POSTS (TYPICAL)

N.T.S.

NOTE:

"H" LINE POST SHOWN . FOR ALTERNATE LINE POSTS SEE SPECIFICATIONS.



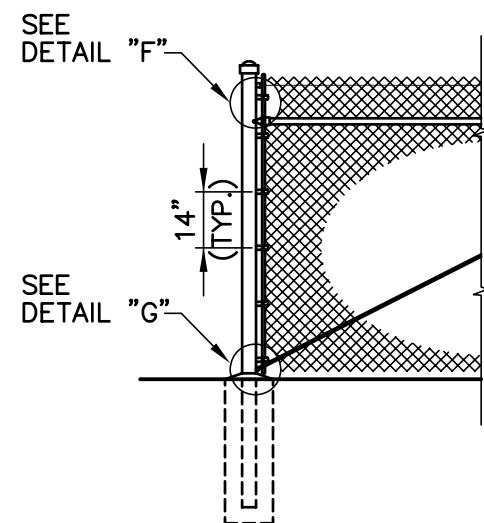
DETAIL "D"
LOCATION OF
TENSION WIRE

N.T.S.

NOTES:

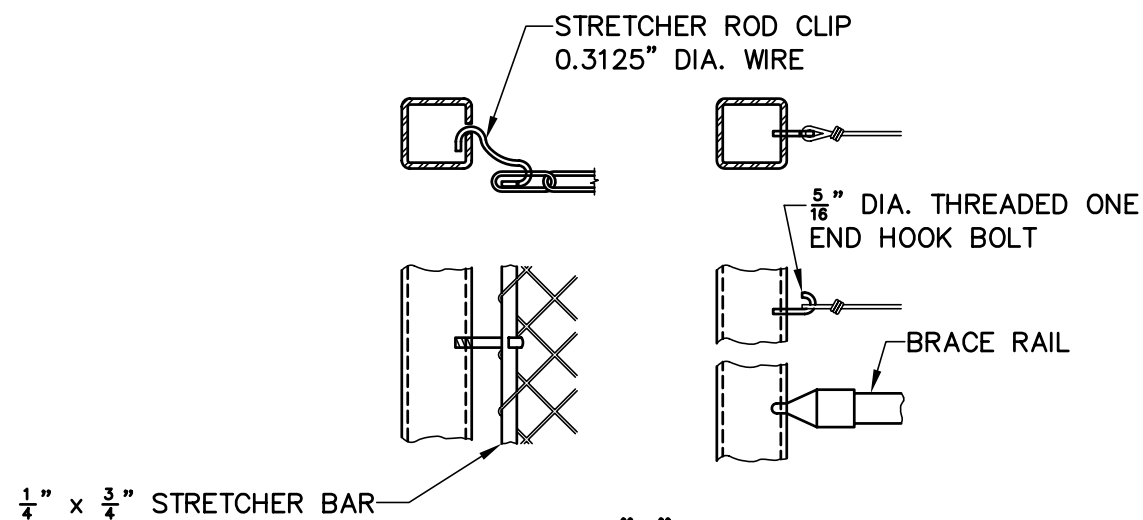
1. REFER TO SPECIFICATIONS FOR:
 - A. SIZE AND WEIGHT OF POSTS AND BRACE RAIL
 - B. LOCATION OF PULL POST ASSEMBLIES
2. ALL SQUARE AND ROUND POSTS WILL BE CAPPED TO PREVENT WATER FROM ENTERING.
3. WHERE ROCK IS ENCOUNTERED, IT SHALL BE DRILLED AND THE POSTS SET IN CONCRETE OR MORTAR.

ROLLED - FORMED SECTION DETAILS



SQUARE TUBULAR TERMINAL,
CORNER OR PULL POST

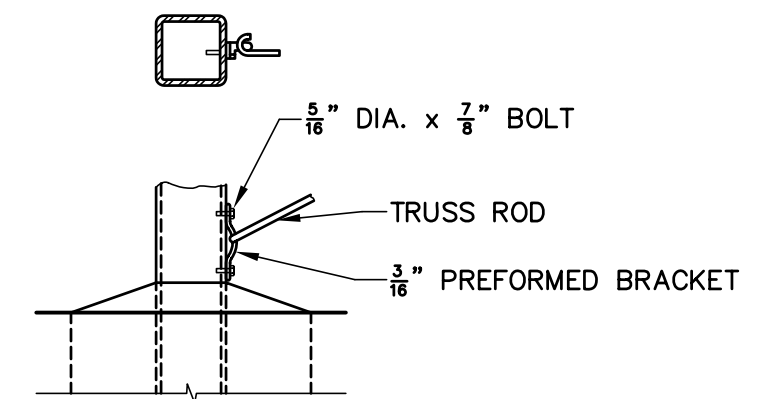
SCALE: 1/4" = 1'-0"



DETAIL "F"
STRETCHER BAR AND TENSION WIRE
ATTACHMENTS TO SQUARE TERMINAL POST

N.T.S.

NOTE: BANDS MAY ALSO BE USED FOR ATTACHMENT.



DETAIL "G"
TRUSS ROD ATTACHMENT

N.T.S.

SQUARE TUBULAR POST DETAILS
TYPICAL CHAIN LINK FENCE DETAILS

AS SHOWN