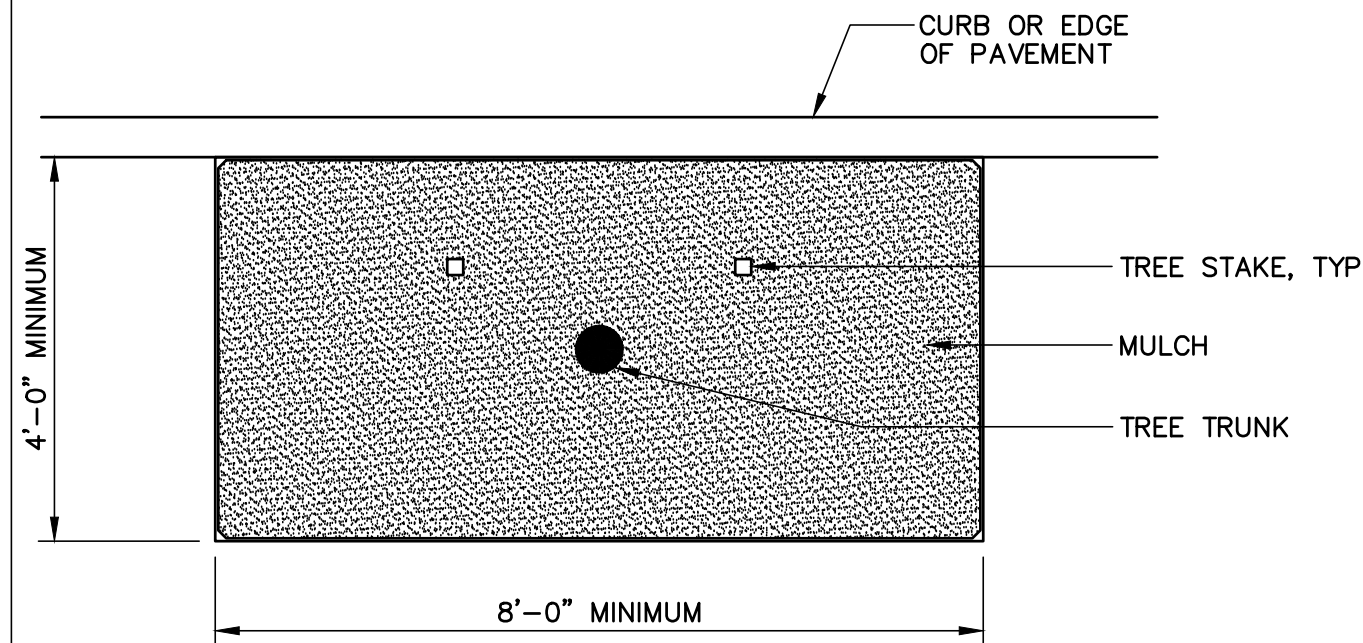
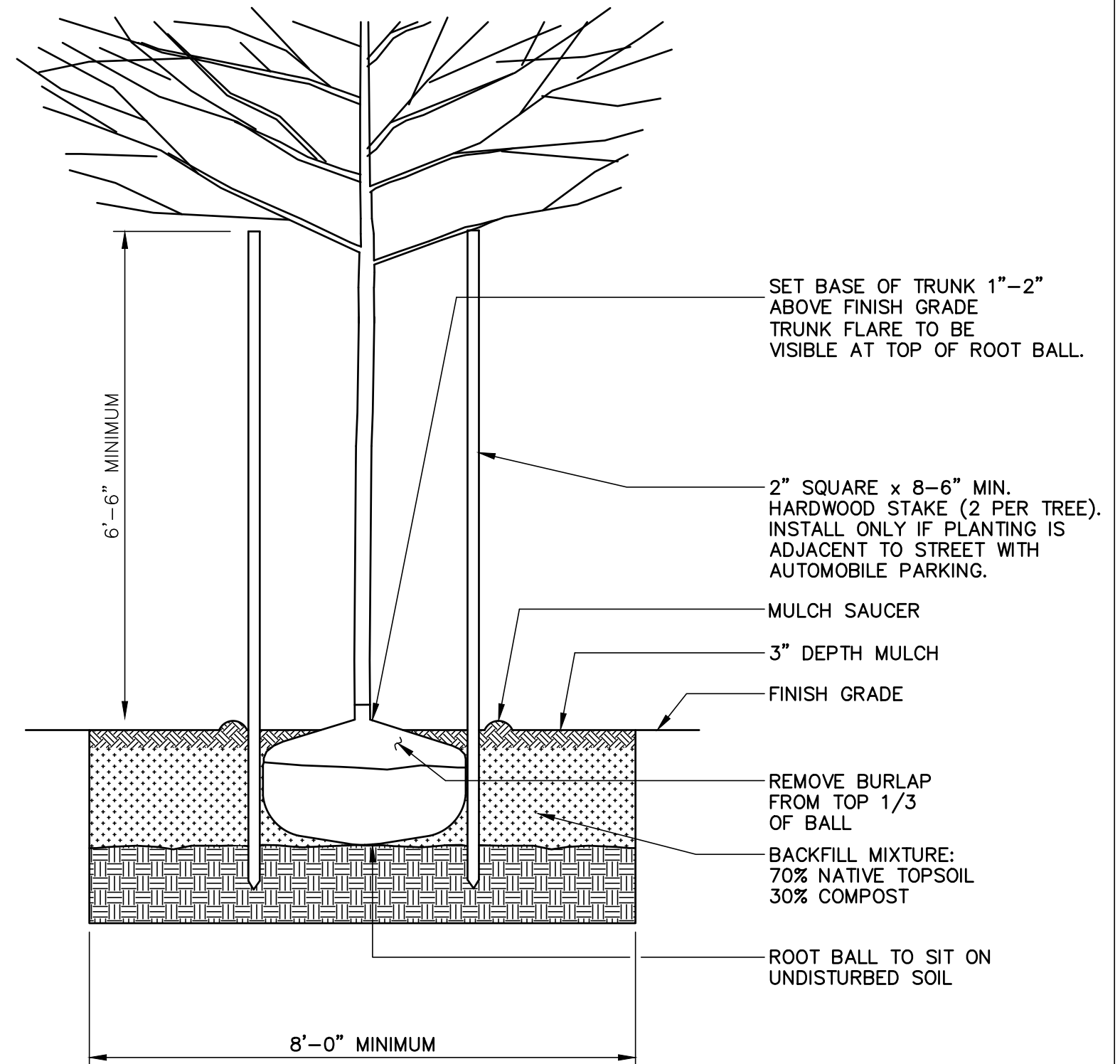


**NOTES:**

1. 4' x 8' OPENING IS MINIMUM SIZE OPENING FOR TREE PIT. IF SITE CONDITIONS AND DESIGN PERMITS, LARGER TREE PIT DIMENSIONS ARE ACCEPTABLE AND DESIRED. IF SITE CONDITIONS DO NOT PERMIT A 4' x 8' SIZE TREE PIT AND/OR REQUIRE A TREE PIT SIZE OF A DIFFERENT DIMENSION, THEN THE PROPOSED TREE PIT SIZE SHALL BE SUBMITTED TO THE CHIEF LANDSCAPE ARCHITECT AND CITY ENGINEER FOR APPROVAL.
2. NO TREE PIT SHALL BE LOCATED CLOSER THAN 25' FROM A STOP SIGN AND/OR 25' FROM THE INTERSECTION OF THE BACK SIDES OF TWO SIDEWALKS (SIDE OF SIDEWALK FARTHEST AWAY FROM STREET).
3. THE PLACEMENT OF A TREE PIT SHALL IN NO CASES RESULT IN THE SIDEWALK WIDTH BEING LESS THAN 5' WIDE.
4. MARK NORTH SIDE OF THE TREE IN NURSERY AND LOCATE TO TO THE NORTH IN FIELD.



**PLAN VIEW**



**TREE PLANTING WITH MULCH SAUCER**

SCALE: 1/2"=1'-0"