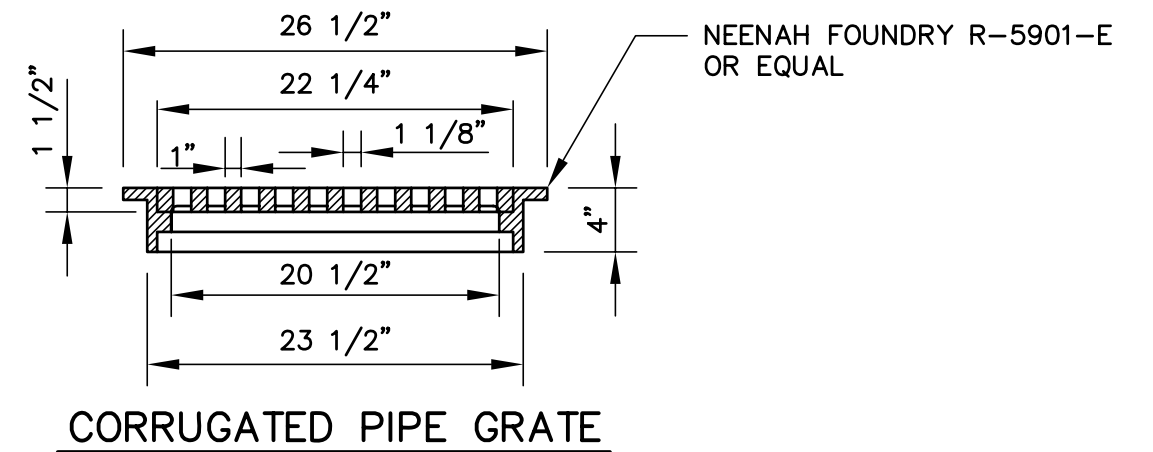
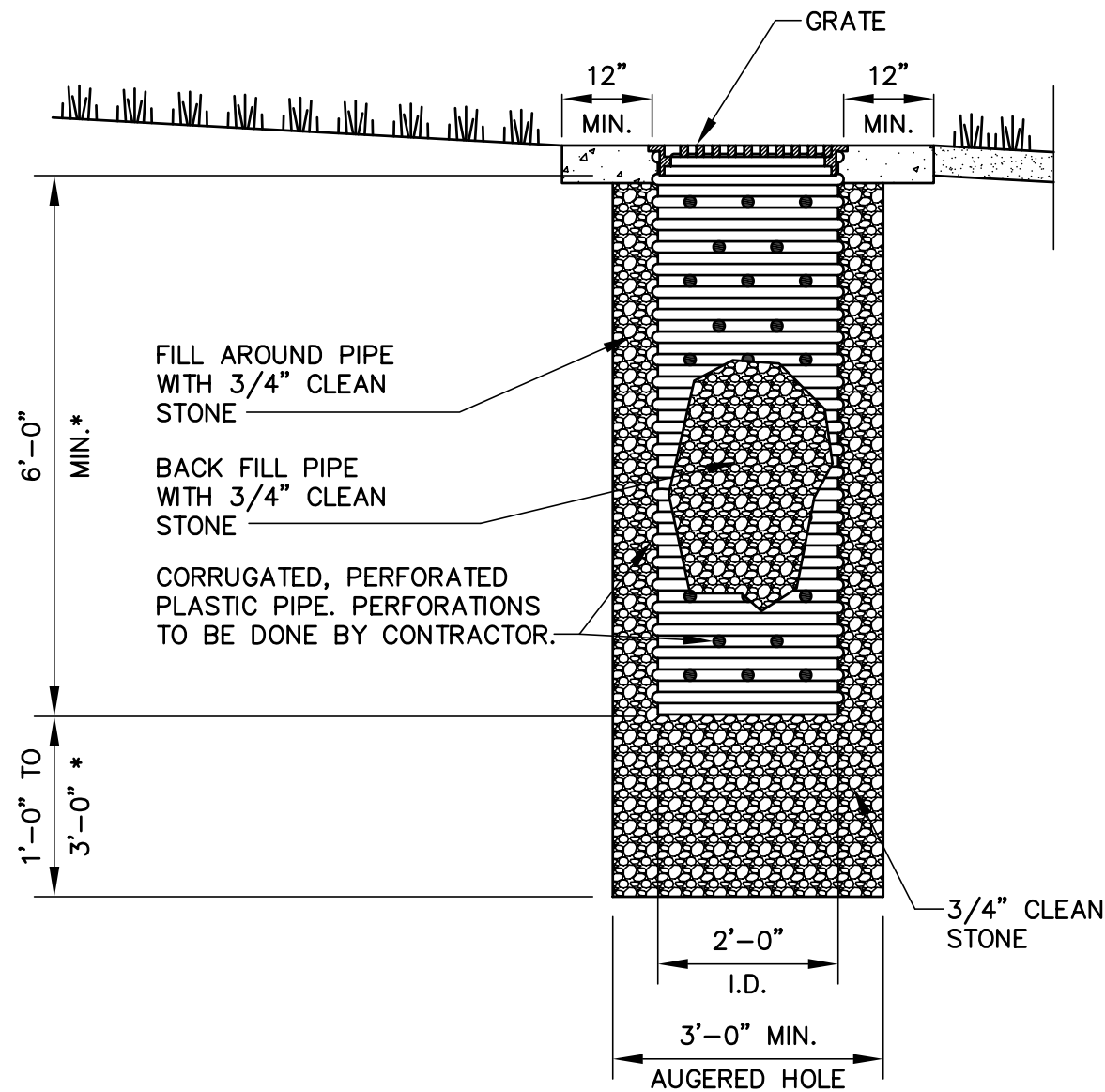


\* DEPENDING UPON THE CONDITIONS AT A GIVEN LOCATION, AND IS AT THE DISCRETION OF THE CITY ENGINEER.



**CORRUGATED PERFORATED  
PIPE DRYWELL WITH GRATE**

SCALE: 1/2"=1'-0"

**NOTE:**  
SURROUNDING SOIL CONDITIONS MUST BE CAPABLE OF DRAINING AREA BEING COLLECTED.