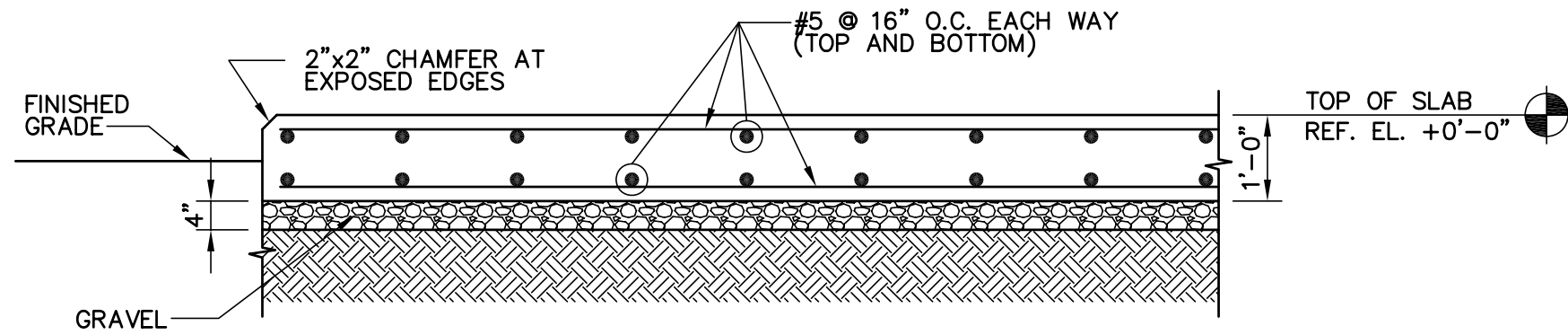


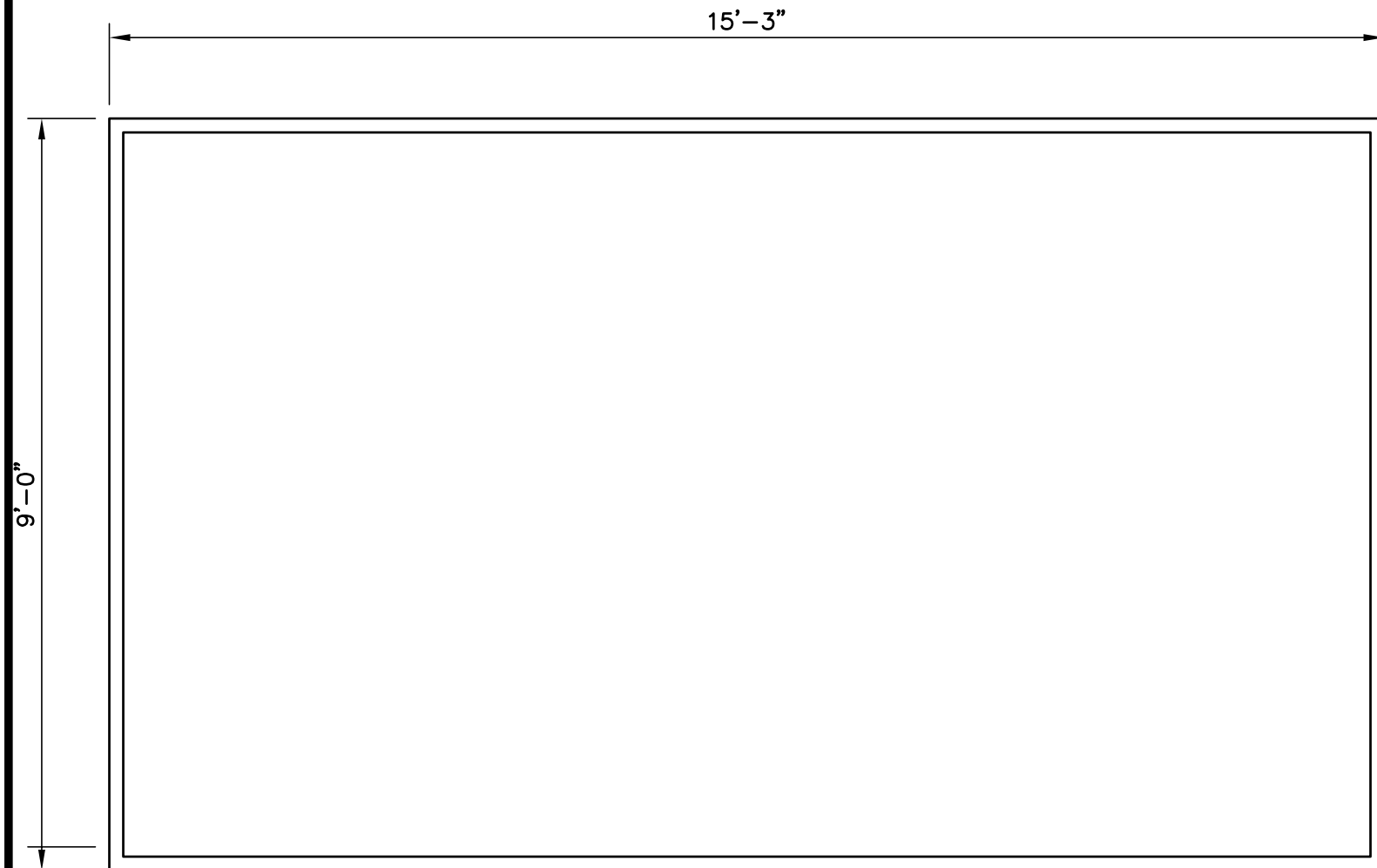
CITY OF NEW HAVEN  
DEPARTMENT OF ENGINEERING

RICHARD H. MILLER, P.E., L.S. 9886  
CITY ENGINEER

DRIVE: K:\ENGINEER\DWG  
FILE: CITYSTD\DETAILS\2009 DETAILS  
DATE: DEC. 1, 2009  
DRAWING NO.: **STD-NH-39**



DETAIL  
SCALE  $\frac{1}{2}'' = 1'-0''$



PLAN VIEW  
SCALE  $\frac{1}{2}'' = 1'-0''$

MECHANICAL EQUIPMENT PAD DETAIL

SCALE: AS NOTED