

Notes:

Plans and Drawings are products as noted, and as recommended by the manufacturer. These Drawings may not represent the latest updates as provided by the manufacturer, so it is up to the contractors or venders to submit shop drawings to the City Engineering Department for approval to insure conformance with these specifications.

**CITY OF NEW HAVEN
DEPARTMENT OF ENGINEERING**

RICHARD H. MILLER, P.E., L.S. 9886
CITY ENGINEER

DRIVE: K:\ENGINEER\DWG\CITYSTD
FILE: DETAILS\LIGHTING STANDARDS\2011 DETAILS
DATE: JULY 1, 2011
DRAWING NO.: LD-NH-19

REV.	ALTERATION	DATE	BY
A	WATTAGE WAS 175W. CLEAR COAT ADDED	08/02/05	A.A.
B	POLE COATING WAS ACRYLIC	08/02/05	A.A.

LUMINAIRE SPECIFICATIONS

CATALOGUE NO.: K134-SAC-III-150(MED)
-MH-240(MT)-K42/K4
GLOBE MAT'L: ACRYLIC, CLEAR
IES CLASSIFIC.: TYPE III
WATTAGE: 150W
LIGHT SOURCE: METAL HALIDE (PULSE START)
LINE VOLTAGE: 240V (MULTI-TAP)
POLE ADAPTOR: K42/K4
OPTIONS: QUICK DISCONNECT
 TERMINAL BLOCK

BALLAST INFORMATION:

BALLAST TYPE: HK-HPF (PULSE START)
BALLAST MANU.: ADVANCE / MAGNETEK
CATALOG NUMBER: 71A5492 / M150MLTLC3M

POLE SPECIFICATIONS

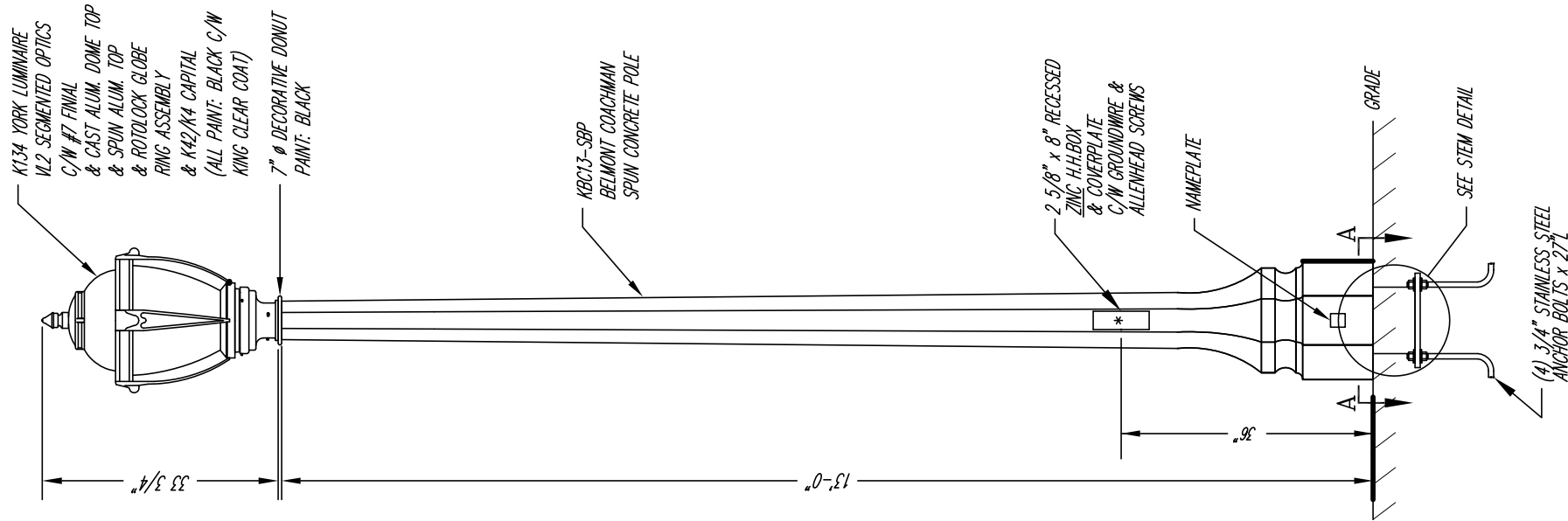
CATALOGUE NO.: KBC13-G-S11-SBP(MOD)
C/W 140-35/40 & AB
SECTION: OCTAGONAL
COLOUR: ECLIPSE
FINISH: POLISHED
POLE TOP: 5 1/2" FL/FL
POLE BUTT: 9 1/2" Ø
POLE LENGTH: 13' 6"
APPROX WEIGHT: 1,185 lbs.

COLOUR & FINISH:

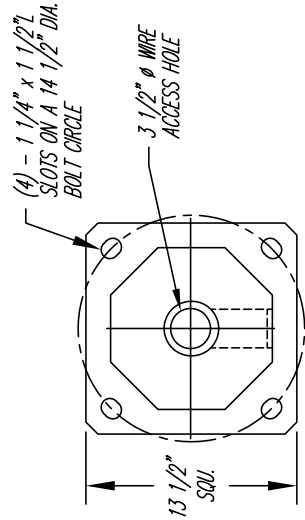
S11 ECLIPSE
BLACK-100-BF

COATINGS REQUIRED:

-1 COAT ANTI-GRAFITTI FULL LENGTH



ROADWAY



SECTION A - A
BASEPLATE DETAIL

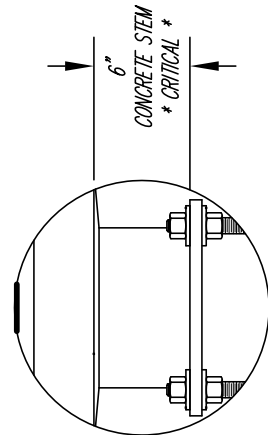
MAT'L: 1" x 13 1/2" SQU STAINLESS STEEL



**KING LUMINAIRE
COMPANY INC.**

940 WALTERS LANE, P.O. BOX 7,
BURLINGTON, ONTARIO, CANADA L7R 3J9
P.O. BOX 266 JEFFERSON, OHIO
1153 STATE ROUTE 48N
U.S.A. 44007

DRAWING NAME: CONCEPT DWG	DWG NUMBER 206A2727-1	DATE 02/21/05	DWG BY: A.A.	REV. B
PROJECT/CUSTOMER: PARDEE SEAWALL			CHK BY:	
DWGCS 206A2727				



STEM DETAIL

NOTE:
(4) PC. OF 15mm WELDABLE STAINLESS STEEL REBAR
x 4 FEET LONG REQUIRED FOR BASEPLATE

PARDEE PARK

BELMONT COACHMAN 13' SPUN CONCRETE POLE
WITH THE YORK LUMINAIRE

NOT TO SCALE

CONCRETE POSTS AND LUMINAIRES

AS NOTED