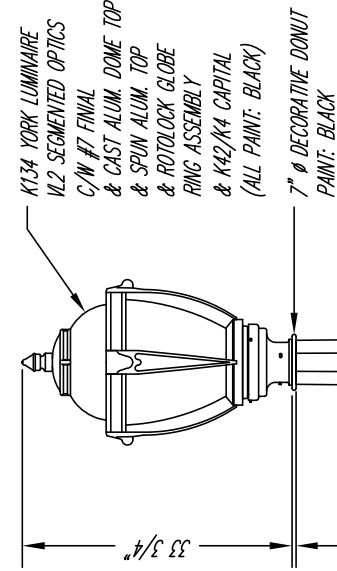


| REV. | ALTERATION | E.C.N. | DATE | BY |
|------|------------|--------|------|----|
| | | | | |



LUMINAIRE SPECIFICATIONS

CATALOGUE NO.: K134-SAC-III-175(MOG)
-MH-240(MT)-K42/K4
GLOBE MATL.: ACRYLIC, CLEAR
IES CLASSIFC.: TYPE III
WATTAGE: 175W
LIGHT SOURCE: METAL HALIDE
LINE VOLTAGE: 240V (MULTI-TAP)
POLE ADAPTOR: K42/K4
OPTIONS:

POLE SPECIFICATIONS

CATALOGUE NO.: KBC13-G-S11-BP
C/W 140-35/40
SECTION: OCTAGONAL
COLOUR: ECLIPSE
FINISH: POLISHED
POLE TOP: 5 1/2" FL/FL
POLE BUTT: 17" FL/FL
POLE LENGTH: 13' 0"
APPROX WEIGHT: 1,150 lbs.

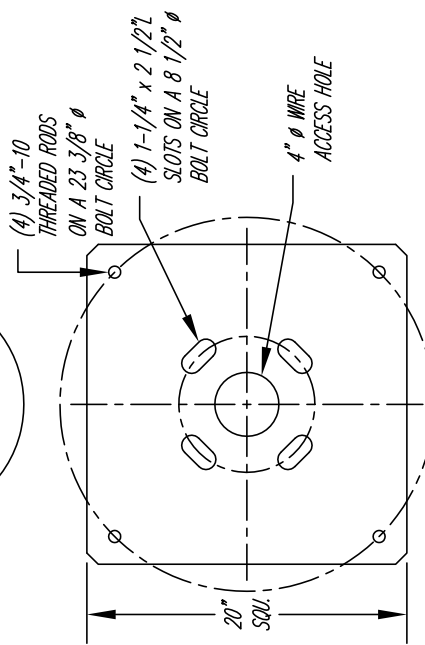
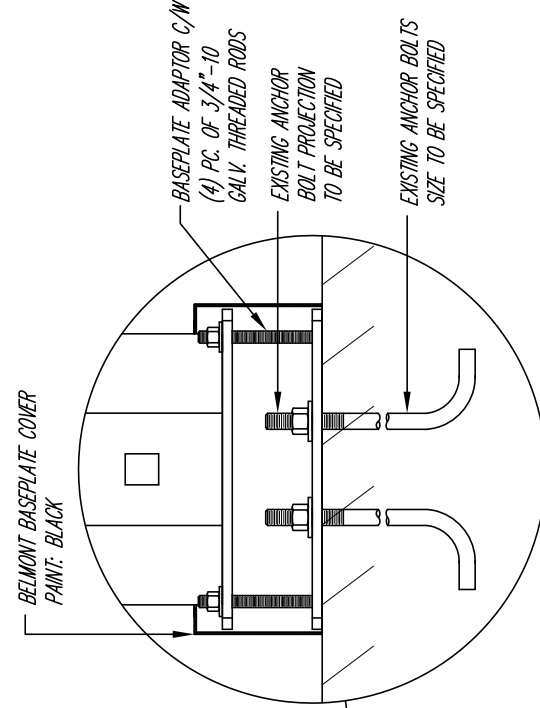
COLOUR & FINISH:
S11 ECLIPSE
BLACK-100-BF

COATINGS REQUIRED:
-2 COATS VEX-HSTT ACRYLIC
FULL LENGTH

KBC13-BP
BELMONT COACHMAN
SPUN CONCRETE POLE

2.5/8" x 8" RECESSED
ZINC H/L BOX
& COVERPLATE
C/W GROUNDWIRE &
ALLENHEAD SCREWS

NAMEPLATE
BELMONT
BASEPLATE
(SEE DETAIL)



VIEW A-A
MATL: 5/8" x 20" x 20" GALV. STL

**CITY OF NEW HAVEN
DEPARTMENT OF ENGINEERING**

RICHARD H. MILLER, P.E., L.S. 9886
CITY ENGINEER

| |
|--|
| DRIVE: K:\ENGINEER\DWG\CITYSTD |
| FILE: DETAILS\LIGHTING STANDARDS\2011 DETAILS |
| DATE: JULY 1, 2011 |
| DRAWING NO.: LD-NH-20 |

| | | | |
|---|-----------------------------|------------------|--------------|
| <p>KING LUMINAIRE COMPANY INC. P.O. BOX 286, JEFFERSON, OHIO 1751 STATE ROUTE 46N U.S.A. 44047</p> | DWG NUMBER 206A2727 | DATE 10/01/04 | REV. A.A. |
| | DRAWING NAME CONCEPT DWG | CHK BY: | |
| PROJECT/CUSTOMER: PARDEE LIGHTS | | | |

PARDEE PARK

**BELMONT COACHMAN 13' SPUN CONCRETE POLE
ON BELMONT BASE PLATE WITH THE YORK LUMINAIRE**

NOT TO SCALE

CONCRETE POSTS AND LUMINAIRES

AS NOTED

|DWGS|206A2727