

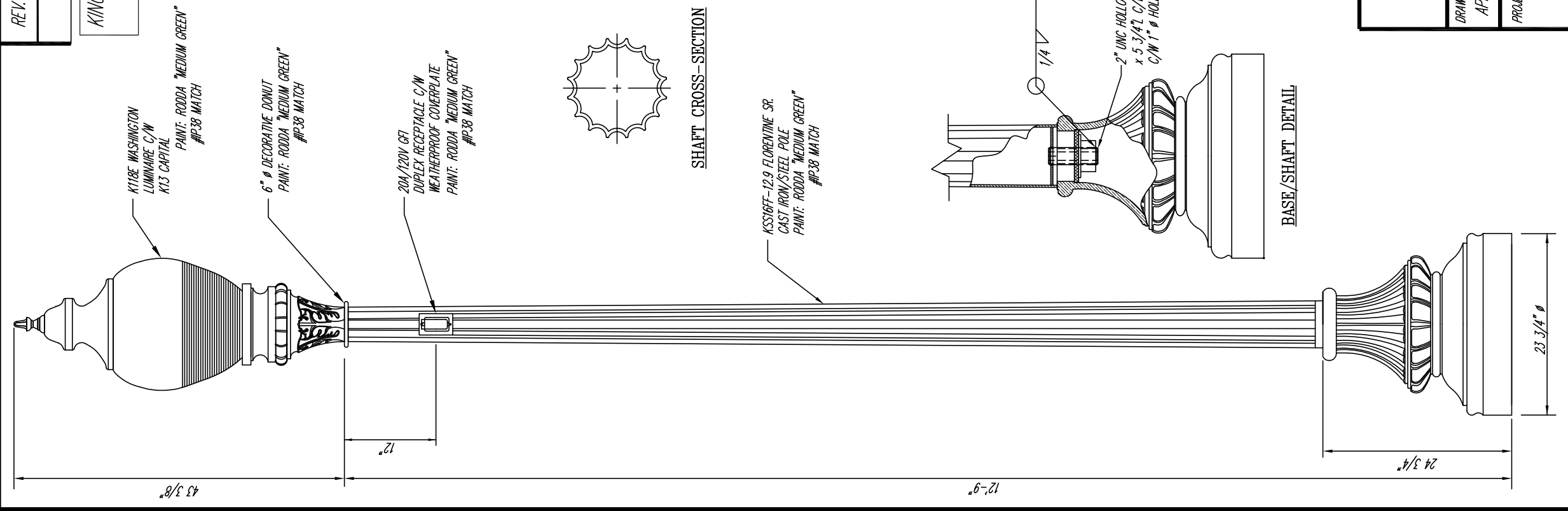
Notes:
Plans and Drawings are products as noted, and as recommended by the manufacturer. These Drawings may not represent the latest updates as provided by the manufacturer, so it is up to the contractors or vendors to submit shop drawings to the City Engineering Department for approval to insure conformance with these specifications.

REV.	ALTERATION	E.C.N.	DATE	BY

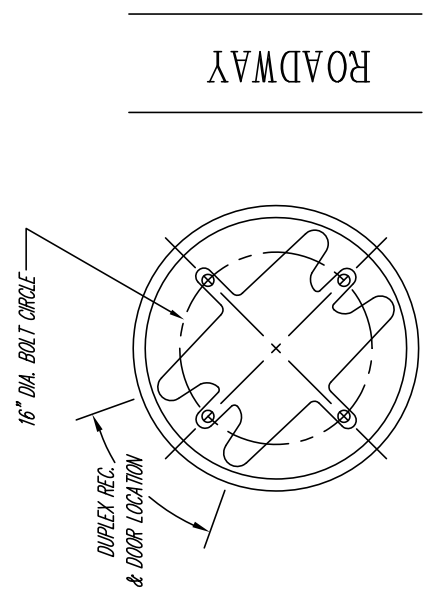
KING U.S. ORDER NO.: 20794

KING CAN. ORDER NO.: 1374

CUSTOMER ORDER NO.: S1582769

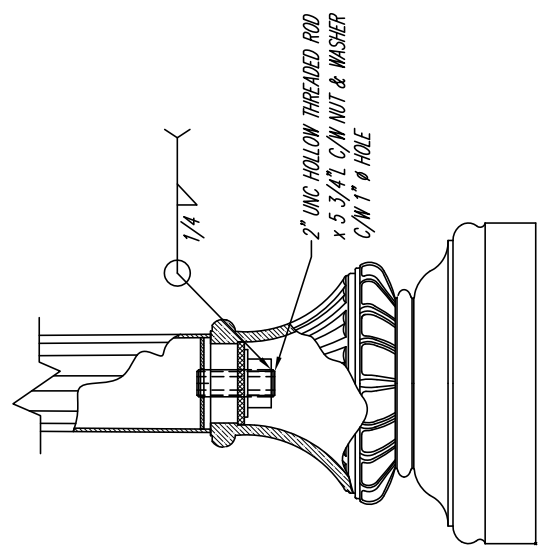


- LUMINAIRE SPECIFICATIONS
- CATALOGUE NO.: K118-FPR-H-250(MCG)
-MH-240-K13
- QUANTITY: 39
- GLOBE MATL.: POLYCARBONATE
- IES CLASSIFIC.: TYPE II
- WATTAGE: 250W
- LIGHT SOURCE: METAL HALIDE
- LINE VOLTAGE: 240V
- POLE ADAPTOR: K13 (PAINT: RODDA "MED. GREEN" #P38 MATCH)
- OPTIONS:
- POLE SPECIFICATIONS
- CATALOGUE NO.: KSS16FF-12.9-DR
- QUANTITY: 39
- PAINT: RODDA "MEDIUM GREEN" #P38 MATCH
- CAST IRON
- BASE MATERIAL: 11 GAUGE FLUDED FORMED STEEL
- SHAFT MATERIAL:
- SHAFT TAPER: 0.14"/FT.
- TOP SIZE: 4 1/2"
- BUTT SIZE: 6" Ø
- OVERALL LENGTH: 12'-9"
- ANCHOR BOLTS: (4) 1" x 36"
- BOLT CIRCLE: 16" Ø

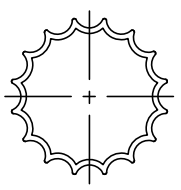


BASE PLAN DETAIL

CARE MUST BE TAKEN WHEN INSTALLING ANCHOR BASES TO ENSURE CORRECT ORIENTATION OF DOOR WITH RESPECT TO EDGE OF ROADWAY



BASE/SHAFT DETAIL



SHAFT CROSS-SECTION

KSS16FF-12.9 FLORENTINE SR. CAST IRON/STEEL POLE
PAINT: RODDA "MEDIUM GREEN" #P38 MATCH

CUSTOMER APPROVAL: _____

KING LUMINAIRE COMPANY INC.
P.O. BOX 286, JEFFERSON, OHIO
1153 STATE ROUTE 46N
U.S.A. 44047

640 WALKER'S LINE, P.O. BOX 7,
BURLINGTON, ONTARIO, CANADA L7R 3J9

DRAWING NAME: APPROVAL DWG	DWG NUMBER 20794-1	DATE: 07/08/07	DWG BY: A.A.	REV
PROJECT/CUSTOMER: NEW HAVEN, CT.				141-ORDER 20794

CHAPEL WEST

**12'-9" FLORENTINE SR. CAST IRON/STEEL POLE
AND WASHINGTON LUMINAIRE C/W K13 CAPITAL**

NOT TO SCALE

STEEL POLE AND LUMINAIRES

AS NOTED