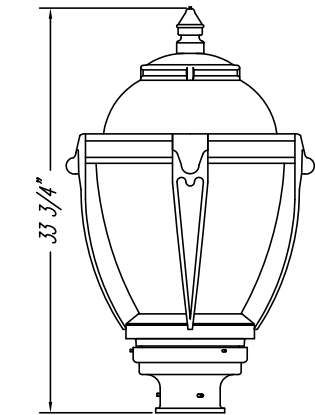
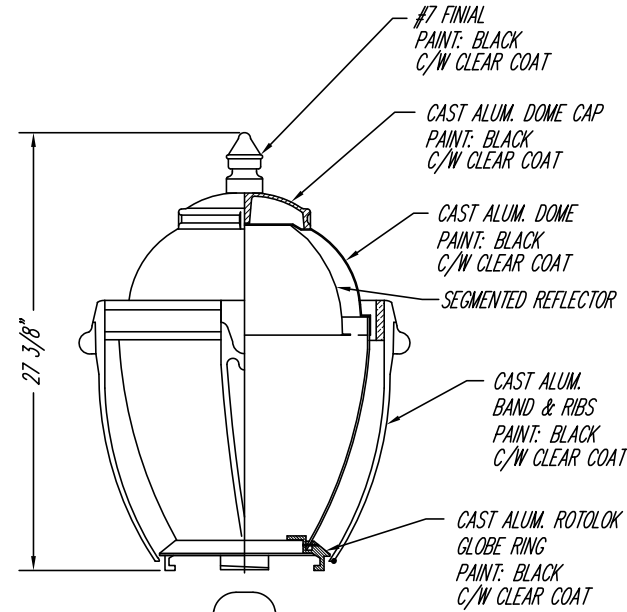


**CITY OF NEW HAVEN  
DEPARTMENT OF ENGINEERING**

RICHARD H. MILLER, P.E., L.S. 9886  
CITY ENGINEER

DRIVE:  
K:\ENGINEER\DWG\CITYSTD\  
FILE:  
DETAILS\LIGHTING STANDARDS\2011 DETAILS  
DATE:  
JULY 1, 2011  
DRAWING NO.:  
**LD-NH-23**



**K134 VL2 C/W K42/K4**

**SPECIFICATIONS**

CATALOGUE NO.: K134-SAC-III-150(MED)  
-MH-240(MT)-K42/K4

QUANTITY:  
GLOBE MAT'L: ACRYLIC, CLEAR  
IES CLASSIFIC.: TYPE III  
WATTAGE: 150W  
LIGHT SOURCE: METAL HALIDE  
LINE VOLTAGE: 240V (MULTI-TAP)  
POLE ADAPTOR: K42/K4  
LAMP BY OTHERS

**BALLAST INFORMATION:**

BALLAST TYPE: HX-HPF (PULSE START)  
BALLAST MANU.: MAGNETEK / ADVANCE  
CATALOG NUMBER: M150MLTLC3M / 71A5492

**OPTIONS:**

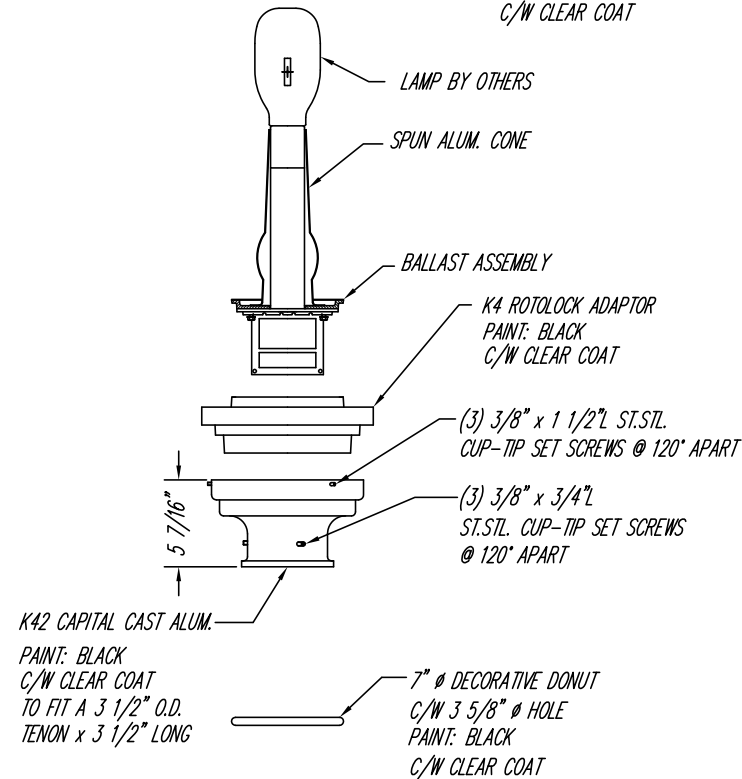
QUICK DISCONNECT   
TERMINAL BLOCK

OTHER: \_\_\_\_\_

FOR WIRING DIAGRAM SEE  
DRAWING 209B0100

**FEATURES**

- CUT-OFF OPTICS
- CAST ALUMINUM CONSTRUCTION
- 5 YEAR WARRANTY
- ROTOLOK GLOBE
- TOOL-LESS ENTRY
- MODULAR BALLAST ASSEMBLY
- POWDER COAT PAINT



| PART    | PLANT REFERENCE<br>DWG. #S | REVISION |
|---------|----------------------------|----------|
| GLOBE   |                            |          |
| CAPITAL |                            |          |
| OPTICS  |                            |          |
| BALLAST |                            |          |
| FINIAL  |                            |          |
| OTHERS  |                            |          |

CERT. I.D. CS  ET

CUSTOMER APPROVAL: \_\_\_\_\_

**KING LUMINAIRE**  
CORPORATE OFFICE:  
100 HUNTERS LANE, P.O. BOX 2,  
BURLINGTON, CONNECTICUT 06911-0002  
TEL: 860.392.4000 FAX: 860.392.4001  
WWW.KINGLUMINAIRE.COM

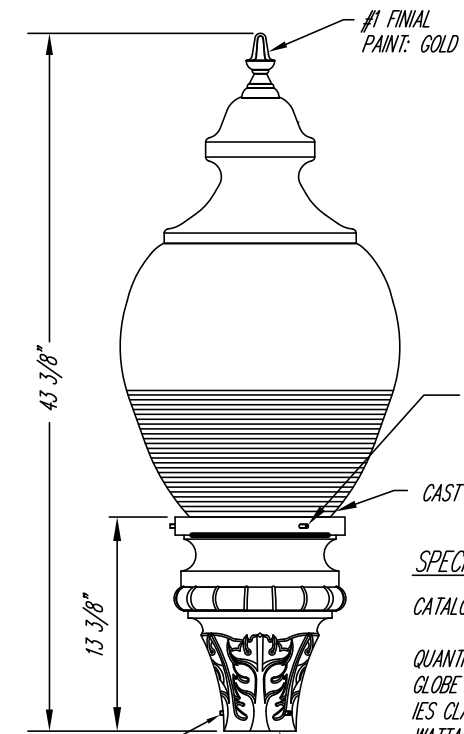
DRAWING NAME: APPROVAL DWG. DWG NUMBER: 20642727-2 DATE: 09/02/05 DWG BY: A.A. REV: \_\_\_\_\_  
PROJECT/CUSTOMER: PARADEE SEA WALL DWG NO: \_\_\_\_\_

**K134 YORK LUMINAIRE**

**Notes:**

Plans and Drawings are products as noted, and as recommended by the manufacturer. These Drawings may not represent the latest updates as provided by the manufacturer, so it is up to the contractors or vendors to submit shop drawings to the City Engineering Department for approval to insure conformance with these specifications.

| REV. | ALTERATION    | E.C.K. | DATE     | BY |
|------|---------------|--------|----------|----|
| 1    | REV CORRECTED |        | 09/09/07 | AA |



KING U.S. ORDER NO.:  
20794

CUSTOMER ORDER NO.:  
S1582769

**SPECIFICATIONS:**

CATALOGUE NO.: K118-EPR-II-250(MOG)  
-MH-240-K13

QUANTITY: 39

GLOBE MAT'L: POLYCARBONATE

IES CLASSIFIC.: TYPE II

WATTAGE: 250W

LIGHT SOURCE: METAL HALIDE

LINE VOLTAGE: 240V

POLE ADAPTOR: K-13 (PAINT: RODDA "MED. GREEN #IP38 MATCH)

**OPTIONS:**

NOTE: LAMP BY OTHERS

CUSTOMER APPROVAL: \_\_\_\_\_

**KING LUMINAIRE**  
CORPORATE OFFICE:  
100 HUNTERS LANE, P.O. BOX 2,  
BURLINGTON, CONNECTICUT 06911-0002  
TEL: 860.392.4000 FAX: 860.392.4001  
WWW.KINGLUMINAIRE.COM

DRAWING NAME: K118 APPROVAL DWG NUMBER: 20794-2 DATE: 07/08/07 DWG BY: A.A. REV: A

PROJECT/CUSTOMER: NEW HAVEN, CT. DWG NO: K1-ORDER120794

**K118E WASHINGTON LUMINAIRE**