

Notes:

Plans and Drawings are products as noted, and as recommended by the manufacturer. These Drawings may not represent the latest updates as provided by the manufacturer, so it is up to the contractors or venders to submit shop drawings to the City Engineering Department for approval to insure conformance with these specifications.

**CITY OF NEW HAVEN  
DEPARTMENT OF ENGINEERING**

RICHARD H. MILLER, P.E., L.S. 9886  
CITY ENGINEER

DRIVE:  
K:\ENGINEER\DWG\CITYSTD\  
FILE:  
DETAILS\LIGHTING STANDARDS\2011 DETAILS  
DATE:  
JULY 1, 2011  
DRAWING NO.:  
**LD-NH-24**

REV.	ALTERATION	DATE	BY
A	COATING WAS ACRYLIC	09/02/05	A.A.

CUSTOMER ORDER NO.:  
  
SC1 ORDER NO.:  
25696

POLE SPECIFICATIONS

CATALOGUE NO.: KBC13-G-S11-SBP(MOD)  
C/W 140-35/40 & AB  
SECTION: OCTAGONAL  
COLOUR: ECLIPSE  
FINISH: POLISHED  
POLE TOP: 5 1/2" FL/FL  
POLE BUTT: 9 1/2" Ø  
POLE LENGTH: 13' 6"  
APPROX WEIGHT: 1,185 lbs.

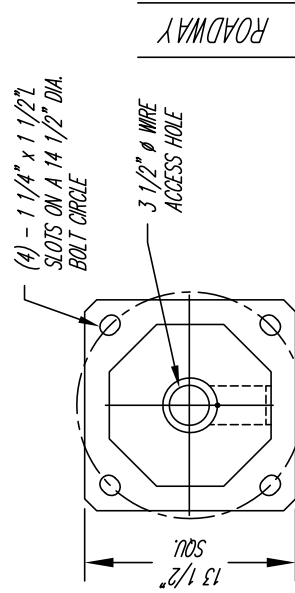
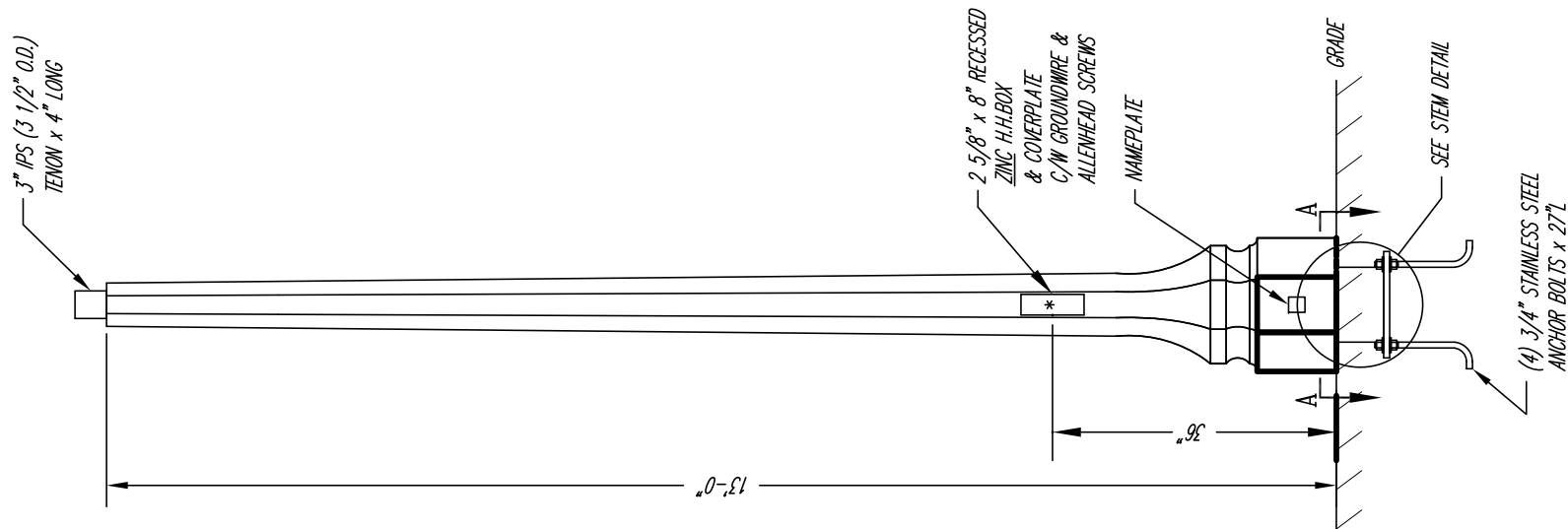
NOTE:

1) 13 1/2" x 1" THK. STAINLESS STEEL BASEPLATE  
2) 3/4" x 27" L STAINLESS STEEL ANCHOR BOLTS

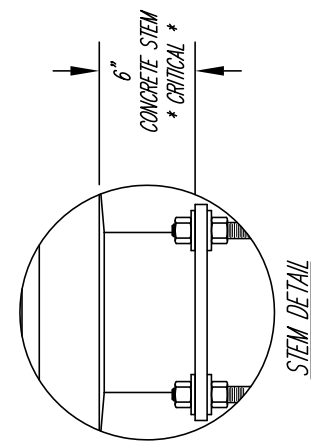
COLOUR & FINISH:  
S11 ECLIPSE  
BLACK-100-BF

COATINGS REQUIRED:  
-1 COAT ANTI-GRAFFITI FULL LENGTH

POLE TOP: 5 1/2" FL/FL



NAMEPLATE  
H.H.BOX  
SECTION A - A  
BASEPLATE DETAIL  
MAT'L: 1" x 13 1/2" SQ. STAINLESS STEEL  
TEMP. #193 DWG. #503C0093



NOTE:  
(4) PC. OF 15mm WELDABLE STAINLESS STEEL REBAR  
x 4 FEET LONG REQUIRED FOR BASEPLATE

CUSTOMER APPROVAL:



**StressCrete Limited**  
840 WALKER'S LINE, P.O. BOX 7  
BURLINGTON, ONTARIO CANADA L7R 3X9

DRAWING NAME: APPROV./MFG. DWG.	DWG NUMBER 206A2727-3	DATE: 09/02/05	REV. A
PROJECT/CUSTOMER: PARDEE SEAWALL	DWG BY: A.A.		
	CHK BY:		

|DWG#|206A2727