

Notes:

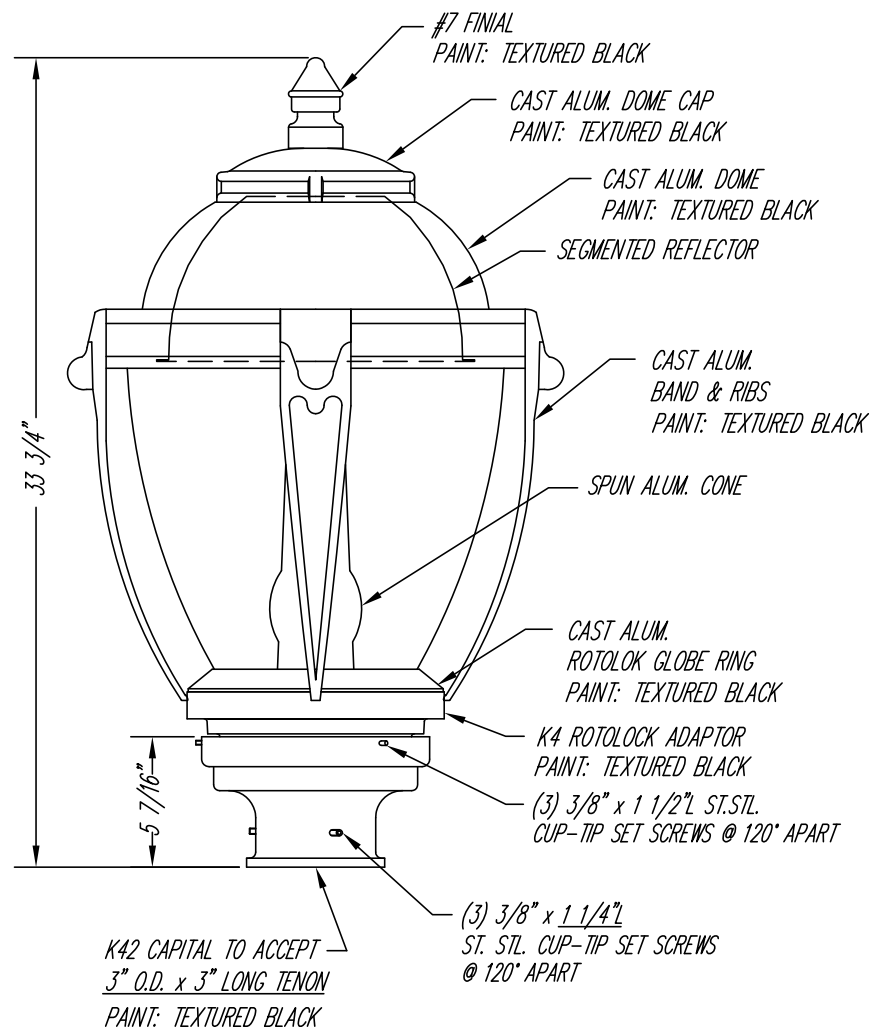
Plans and Drawings are products as noted, and as recommended by the manufacturer. These Drawings may not represent the latest updates as provided by the manufacturer, so it is up to the contractors or vendors to submit shop drawings to the City Engineering Department for approval to insure conformance with these specifications.

**CITY OF NEW HAVEN
DEPARTMENT OF ENGINEERING**

RICHARD H. MILLER, P.E., L.S. 9886
CITY ENGINEER

DRIVE:
K:\ENGINEER\DWG\CITYSTD\
FILE:
DETAILS\LIGHTING STANDARDS\2011 DETAILS
DATE:
JULY 1, 2011
DRAWING NO.:
LD-NH-25

REV.	ALTERATION	DATE	BY



SPECIFICATIONS

CATALOGUE NO.: K134R-SAR-III-____
-____-120(MT)-K42/K4

QUANTITY: _____

OPTICAL SYSTEM: SEGMENTED ACRYLIC RIPPLED
TYPE III

IES CLASSIFIC.: _____

WATTAGE: CHECK BOX BELOW

LIGHT SOURCE: CHECK BOX BELOW

LINE VOLTAGE: 120V (MT)

POLE ADAPTOR: K42/K4

LAMP BY OTHERS

OPTIONS:

QUICK DISCONNECT

TERMINAL BLOCK


OTHER: _____

CUSTOMER ORDER No:
-

KING U.S. ORDER No:
-

CUSTOMER APPROVAL & DATE: _____

CHECK ONE	WATTAGE	LIGHT SOURCE	BALLAST SPEC.		BALLAST TYPE	LAMP (BY OTHERS)		BALLAST WIRING DIAGRAM
			ADVANCE	MAGNETEK		TYPE	ANSI SPEC	
<input type="checkbox"/>	100W	HIGH PRESSURE SODIUM	71A8091	S100ML.TLC3M	HX-HPF	ED23 1/2	S54	209B0590
<input type="checkbox"/>	150W	HIGH PRESSURE SODIUM	71A8192	S150ML.TLC3M	HX-HPF	ED23 1/2	S55	209B0590
<input type="checkbox"/>	100W	METAL HALIDE	71A5390	M100ML.TLC3M	HX-HPF	ED17	M90	209B0594
<input type="checkbox"/>	150W	METAL HALIDE	71A5492	M150ML.TLC3M	HX-HPF	ED28	M102	209B0---



King Luminaire • StressCrete • Est. 1953

STRESSCRETE GROUP

Manufacturing Locations:

Burlington, Ontario 1-800-268-7809

Northport, Alabama 1-800-435-6563

Atchison, Kansas 1-800-837-1024

Jefferson, Ohio 1-800-268-7809

PROJECT/CUSTOMER: CITY OF NEW HAVEN, CT

DRAWN BY: G.R.	AT: SC1	CHECKED BY:	DATE: 10/13/09	REVISION:
-------------------	------------	-------------	-------------------	-----------

DRAWING TYPE: APPROVAL DRAWING DRAWING NUMBER: 206A5582