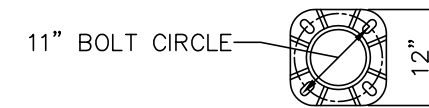
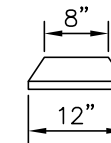


NOTE TO CONTRACTORS AND VENDORS:

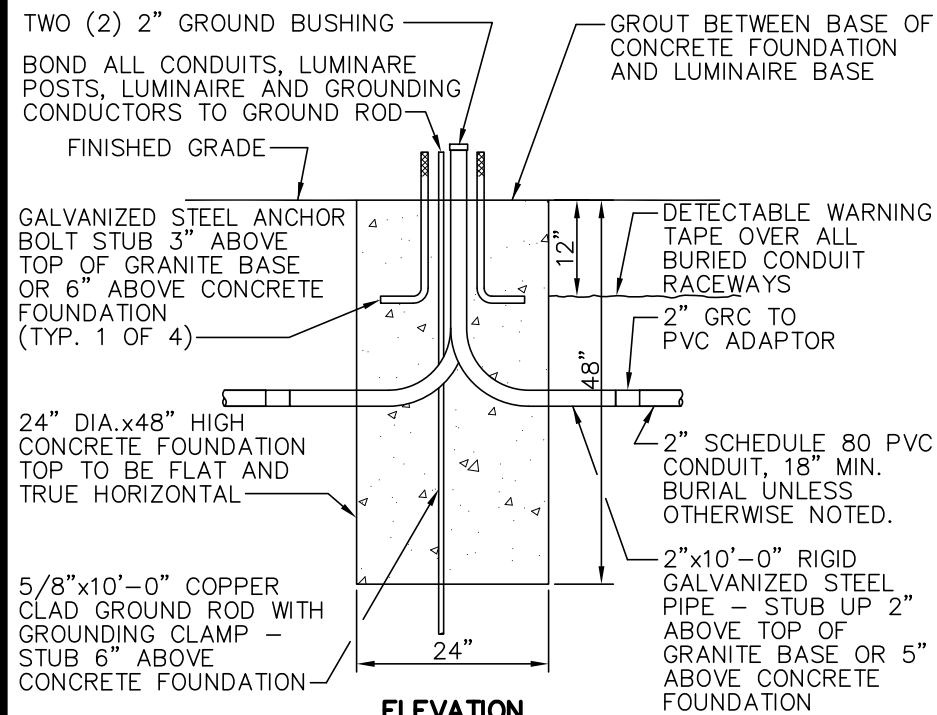
CONDUIT AND WIRE SIZE MAY VARY DEPENDING ON PROJECT.
IT IS UP TO THE CONTRACTORS OR VENDORS TO SUBMIT SHOP
DRAWINGS TO THE CITY ENGINEERING DEPARTMENT FOR APPROVAL
TO INSURE CONFORMANCE WITH THESE SPECIFICATIONS.



PLAN



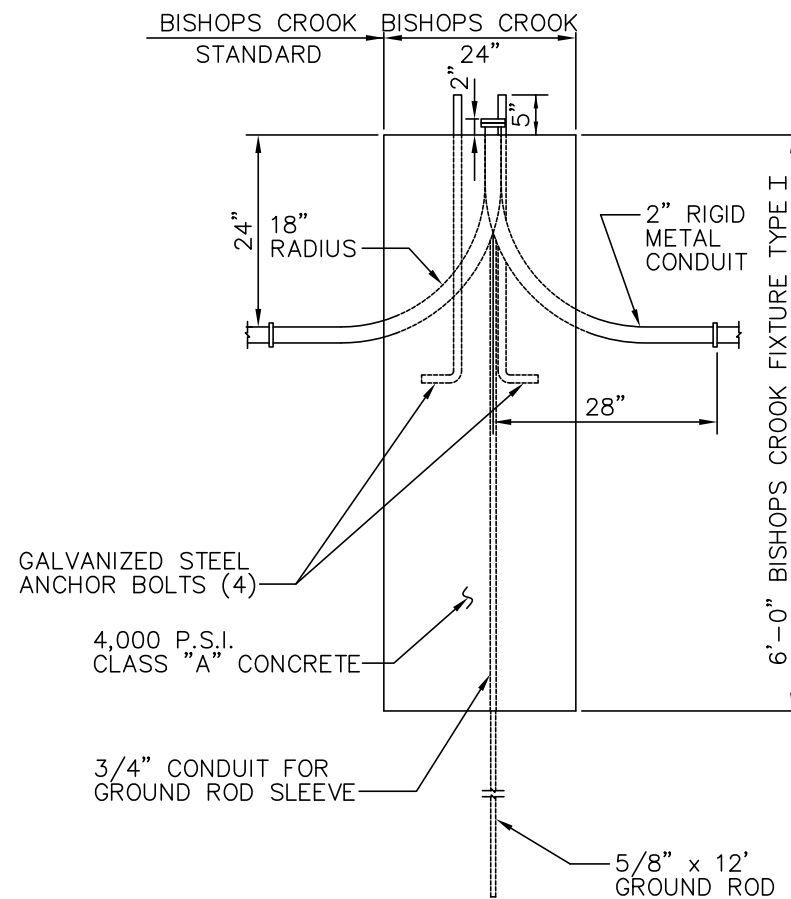
SECTION A-A



ELEVATION

**PEDESTRIAN LUMINAIRE
POST FOUNDATION**

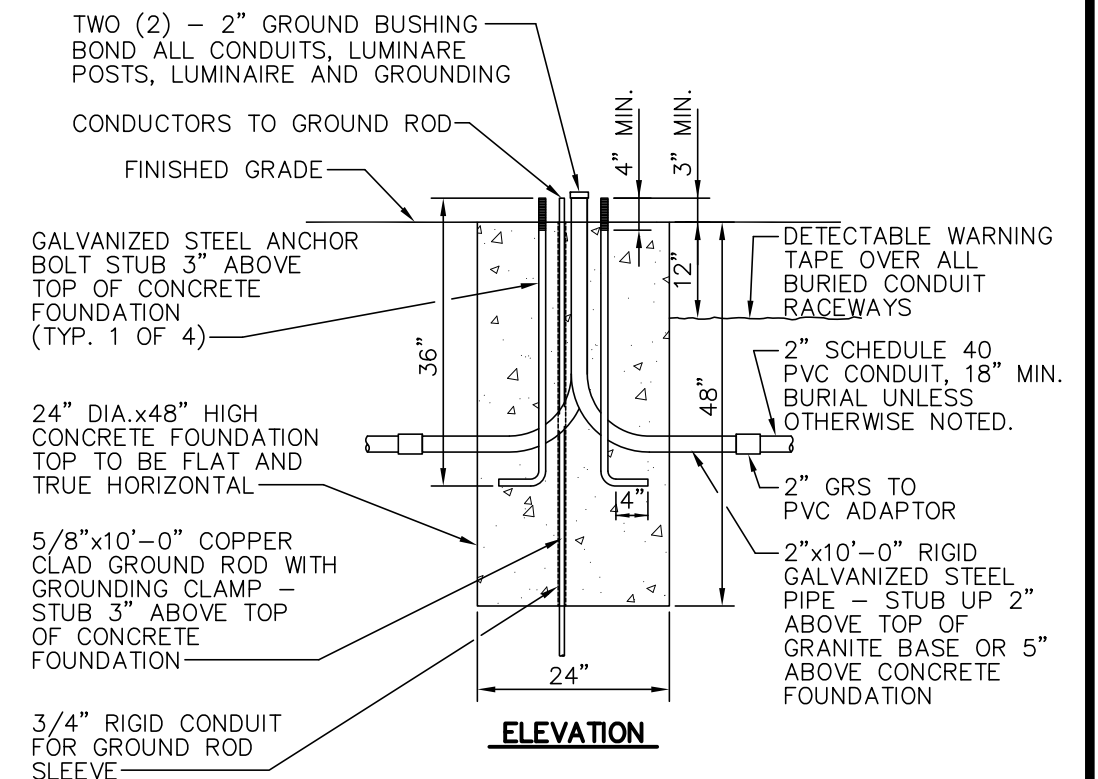
N.T.S.



ELEVATION

**BISHOPS CROOK
POST FOUNDATION**

N.T.S.



ELEVATION

**SPUN TAPERED
ALUMINUM LIGHTING STANDARD
POST FOUNDATION**

N.T.S.

LUMINAIRE FOUNDATIONS

AS NOTED