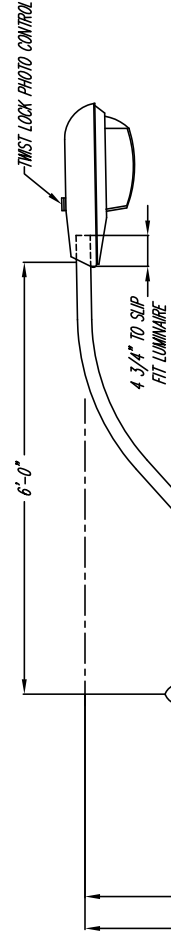


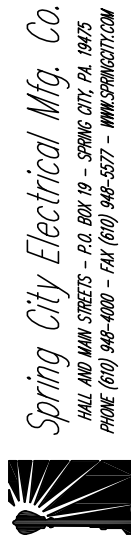
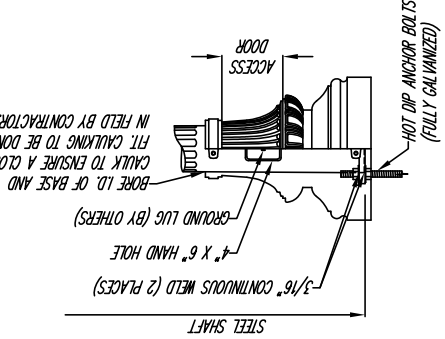
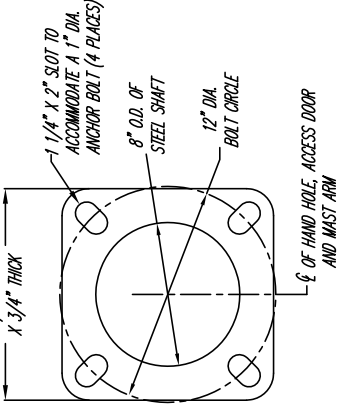
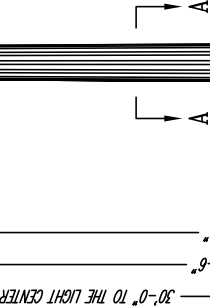
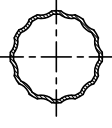
This drawing is property of Spring City Elect. Mfg. and is issued to the recipient with the understanding that it shall not be copied, duplicated, passed on to unauthorized parties, nor used for any purpose other than that for which it is specifically furnished except with Spring City's written permission.



LUMINAIRE SPECIFICATIONS
 G.E. M-250A2
 STYLE: 11 1/2" +/-
 HEIGHT: 27 1/2" +/-
 WIDTH: DIE CAST ALUMINUM
 MATERIAL: GLASS
 GLOBE/REFRACTOR:
 FINISH: PRIME PAINT THEN FINISH - SEE PAINT SPECIFICATIONS
 LAMPING: 250 WATT HIGH PRESSURE SODIUM (LAMP BY OTHERS)
 VOLTAGE: 120 VOLTS
 MOBIL SOCKET:
 PHOTO CONTROL: 120 VOLT TMRST LOCK TYPE

MAST ARM SPECIFICATIONS
 NORTHAMPTON SINGLE
 STYLE: 3'-6"
 HEIGHT: 6'-0" FROM E. OF POST TO LUMINAIRE ATTACHMENT
 WIDTH: 2 SCHEDULE 40 (2 5/8" +/- OD.) ALUMINUM
 MATERIAL: PIPE WITH CAST ALUMINUM ORNAMENTATION
 FINISH: PRIME PAINT THEN FINISH, SHERWIN WILLIAMS
 ACRYLON- PLEASE SPECIFY COLOR: BLACK GREEN

LAMP POST SPECIFICATIONS
 WASHINGTON STEEL
 STYLE: 26'-6"
 HEIGHT: 30'-0"
 LIGHT CENTER: 24" DIAMETER
 BASE:
 MATERIAL:
 SHAFT:
 BASE:
 FINISH:
 ACCESS DOOR:
 GROUND STUD PROVISIONS:
 ANCHOR BOLTS:
 BOLT PROJECTION:
 TENSION:



Spring City Electrical Mfg. Co.
 HALL AND MAIN STREETS - P.O. BOX 19 - SPRING CITY, PA. 19475
 PHONE (610) 948-4000 - FAX (610) 948-5577 - WWW.SPRINGCITY.COM

DESCRIPTION	THE WASHINGTON 26'-6" STEEL POST WITH THE NORTHAMPTON 3'-6" MAST ARM AND TYPE G.E. M-250A2 LUMINAIRE		
CUSTOMER	NEW HAVEN, CT		
SCALE	DRAWN BY:	DATE	DRAWING NO.
N.T.S.	J. DAVIS	04-29-96	LP-22523

THE WASHINGTON 26"-6" STEEL POST WITH
 THE NORTHAMPTON 3'-6" MAST ARM
 AND TYPE G.E. M-250A2 LUMINAIRE

NOT TO SCALE

STEEL POSTS AND LUMINAIRES

AS NOTED