

This drawing is property of Spring City Elect. Mfg. and is issued to the recipient with the understanding that it shall not be copied, duplicated, passed on to unauthorized parties, nor used for any purpose other than that for which it is specifically furnished except with Spring City's written permission.

Notes:

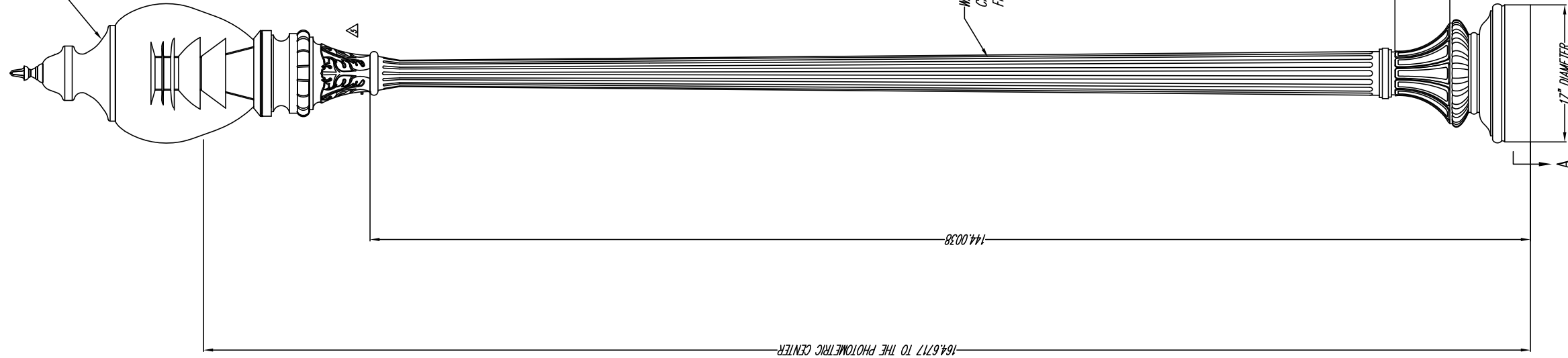
Plans and Drawings are products as noted, and as recommended by the manufacturer. These Drawings may not represent the latest updates as provided by the manufacturer, so it is up to the contractors or vendors to submit shop drawings to the City Engineering Department for approval to insure conformance with these specifications.

**CITY OF NEW HAVEN
DEPARTMENT OF ENGINEERING**

RICHARD H. MILLER, P.E., L.S. 9886
CITY ENGINEER

DRIVE:
X:\ENGINEER\DWG\CITYSTD\
FILE:
DETAILS\LIGHTING STANDARDS\2011 DETAILS
DATE:
JULY 1, 2011
DRAWING NO.:
LD-NH-16

K118R LUMINAIRE WITH UV STABILIZED
CLEAR RIPPLED ACRYLIC ROTOLOCK GLOBE
CUT-OFF TYPE III LOURED ASSEMBLY,
#1 FINIAL (PAINT: GOLD) & K13 CAPITAL
(PAINT: BLACK) Δ Δ

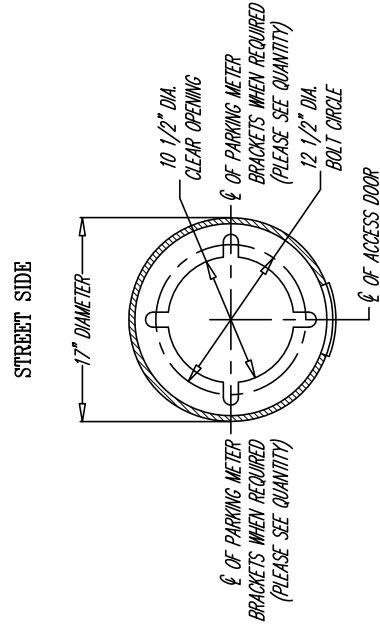


LAMP POST SPECIFICATIONS Δ


- STYLE: WASHINGTON / MLLA 12" PEDESTRIAN 12'-0"
- HEIGHT: 17" DIAMETER
- BASE: 1 PIECE, HEAVY WALL CAST DUCTILE IRON PER A.S.T.M. A536-84 GRADE 65-45-12
- MATERIAL: PRIME PAINT THEN FINISH PAINT, SHEPWIN WILLIAMS
- FINISH: ACRYLON - PLEASE ADVISE COLOR
- ACCESS DOOR: LOCATED IN BASE SECURED WITH TAMPER PROOF HEX SOCKET SECURITY MACHINE SCREWS
- GROUND STUD PROVISIONS: DRILL AND TAP INSIDE WALL OF BASE OPPOSITE ACCESS DOOR TO ACCOMMODATE A 1/4"-20 GROUND STUD (STUD BY OTHERS)
- ANCHOR BOLTS: (4) 3/4" X 24" + 3" HOOK (FULLY GALVANIZED WITH 1 GALVANIZED NUT AND 1 GALVANIZED WASHER PER BOLT)
- BOLT PROJECTION: 3" REQUIRED
- TENSION: 3" DIA. X 3-1/2" HIGH (TO ACCEPT LUMINAIRE)
- CATALOG NO.: DPSMSH-17-12-TM3.00/3.00-323/INW-TBD

LUMINAIRE SPECIFICATIONS Δ Δ

- STYLE: Δ Δ K118R-LAR-III-100-WH-120TM*-K13 39 1/2"
- HEIGHT: 19 15/16"
- WIDTH: Δ CAST ALUMINUM
- MATERIAL: Δ UV STABILIZED CLEAR RIPPLED ACRYLIC ROTOLOCK GLOBE
- GLOBE: FINISH PAINTED BLACK
- FINISH: 100 WATT METAL HALIDE (LAMP BY OTHERS)
- LAMPING: PLEASE SPECIFY VOLTAGE
- VOLTAGE: Δ CUT-OFF TYPE III LOURED ASSEMBLY
- REFRACTOR: MOGUL BASE
- SOCKET:



Δ	REVISED BY: B.A.R.	- MODIFIED POLE ADAPTOR	- 09-08-09
Δ	REVISED BY: B.A.R.	- MODIFIED LUMINAIRE INFO	- 08-27-09
Δ	REVISED BY: B.A.R.	- DETAILED LUMINAIRE INFO	- 03-04-09
Δ	REVISED BY: D.A.K.	- PHOTO CONTROL DETAILS	- 06-25-08
Δ	REVISED BY: D.A.L.	- ADDED LUMINAIRE, SPECS	- 06-25-08

 Spring City Electrical Mfg. Co. <small>SINCE 1943 HALL AND MAIN STREETS - P.O. DRAWER 19 - SPRING CITY, PA. 19478 - PHONE (610) 948-4000 FAX (610) 948-5377</small>	
DESCRIPTION	WASHINGTON 12P (ONE PIECE) 12'-0" DUCTILE IRON POST WITH THE WASHINGTON LUMINAIRE Δ
CUSTOMER	HOUSING - NEW HAVEN, CT
SCALE	N.T.S.
DRAWN BY:	D.A.L.
DATE	06-25-08
SPEC NO.	S1015504

**WASHINGTON 12P (ONE PIECE) 12'-0" DUCTILE
IRON POST WITH THE WASHINGTON LUMINAIRE**

NOT TO SCALE

IRON POSTS AND LUMINAIRES

AS NOTED