

Notes:

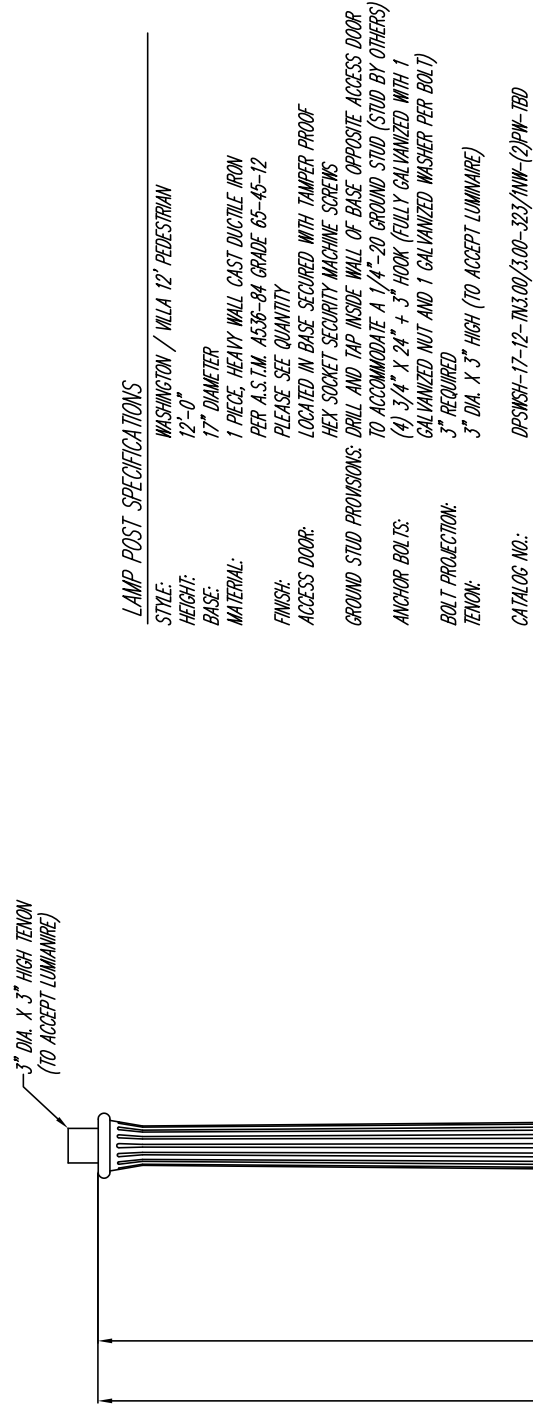
Plans and Drawings are products as noted, and as recommended by the manufacturer. These Drawings may not represent the latest updates as provided by the manufacturer, so it is up to the contractors or venders to submit shop drawings to the City Engineering Department for approval to insure conformance with these specifications.

**CITY OF NEW HAVEN
DEPARTMENT OF ENGINEERING**

RICHARD H. MILLER, P.E., L.S. 9886
CITY ENGINEER

DRIVE: X:\ENGINEER\DWG\CITYSTD\
FILE: DETAILS\LIGHTING STANDARDS\2011 DETAILS
DATE: JULY 1, 2011
DRAWING NO.: LD-NH-18

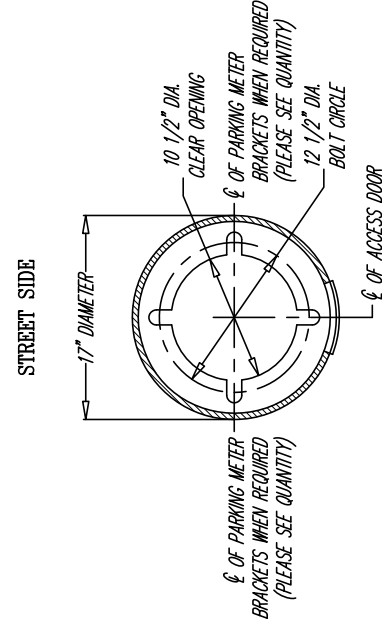
This drawing is property of Spring City Elect. Mfg. and is issued to the recipient with the understanding that it shall not be copied, duplicated, passed on to unauthorized parties, nor used for any purpose other than that for which it is specifically furnished except with Spring City's written permission.



LAMP POST SPECIFICATIONS

- STYLE: WASHINGTON / VILLA 12' PEDESTRIAN
- HEIGHT: 12'-0"
- BASE: 17" DIAMETER
- MATERIAL: 1 PIECE HEAVY WALL CAST DUCTILE IRON PER A.S.T.M. A536-84 GRADE 65-45-12 PLEASE SEE QUANTITY
- FINISH: LOCATED IN BASE SECURED WITH TAMPER PROOF HEX SOCKET SECURITY MACHINE SCREWS
- ACCESS DOOR: TO ACCOMMODATE A 1/4"-20 GROUND STUD (STUD BY OTHERS)
- GROUND STUD PROVISIONS: (4) 3/4" X 24" + 3" HOOK FULLY GALVANIZED WITH 1 GALVANIZED NUT AND 1 GALVANIZED WASHER PER BOLT
- ANCHOR BOLTS: 3" REQUIRED
- BOLT PROJECTION: 3" DIA. X 3" HIGH (TO ACCEPT LUMINAIRE)
- TENON: 3" DIA. X 3" HIGH (TO ACCEPT LUMINAIRE)
- CATALOG NO.: DPSKSH-17-12-TN3.00/3.00-323/1NW-(2)PW-TBD

- △ QUANTITY 1 REQUIRED
- FINISH: PRIME PAINT THEN FINISH PAINT SHERWIN WILLIAMS ACROLOX - CLASSIC BLACK PER S.O. #: 010126



- 2" SCHEDULE 40 PIPE (2.3/8" O.D. X 2.067" I.D. 2 1/2" HIGH) WELDED TO METER SUPPORT TO ACCEPT PARKING METER
- PARKING METER BRACKET SHALL BE CAST DUCTILE IRON, PER A.S.T.M. A-536-84 GRADE 65-45-12 MECHANICALLY ATTACHED TO THE POST, THEN WELDED.
- PLEASE SEE QUANTITY REQUIREMENTS AND SECTION A-A FOR LOCATION OF BRACKET WHEN REQUIRED.
- PLEASE SEE DRAWING # LP-27791 FOR POST WITHOUT PARKING METER BRACKETS

△ REVISED BY: B.A.R.	DATE: 04-16-10
△ REVISED BY: B.A.R.	DATE: 01-29-10
<p>Spring City Electrical Mfg. Co. HALL AND MAIN STREETS - P.O. BOX 19 - SPRING CITY, PA. 19475 PHONE (610) 948-4000 - FAX (610) 948-5577 - WWW.SPRINGCITY.COM</p>	
DESCRIPTION	THE WASHINGTON / VILLA 12P LAMP POST WITH WASHINGTON PARKING METER BRACKETS
CUSTOMER	CITY OF NEW HAVEN, CT
JOB	CITY OF NEW HAVEN, CT
SCALE	N.T.S.
DRAWN BY:	B.A.R.
DATE	01-11-10
DRAWING NO.	LP-27791

**THE WASHINGTON/VILLA 12P LAMP POST
WITH WASHINGTON PARKING METER BRACKETS**

NOT TO SCALE

IRON POSTS AND PARKING METER BRACKET

AS NOTED