

This drawing is property of Spring City Elect. Mfg. and is issued to the recipient with the understanding that it shall not be copied, duplicated, passed on to unauthorized parties, nor used for any purpose other than that for which it is specifically furnished except with Spring City's written permission.

Notes:

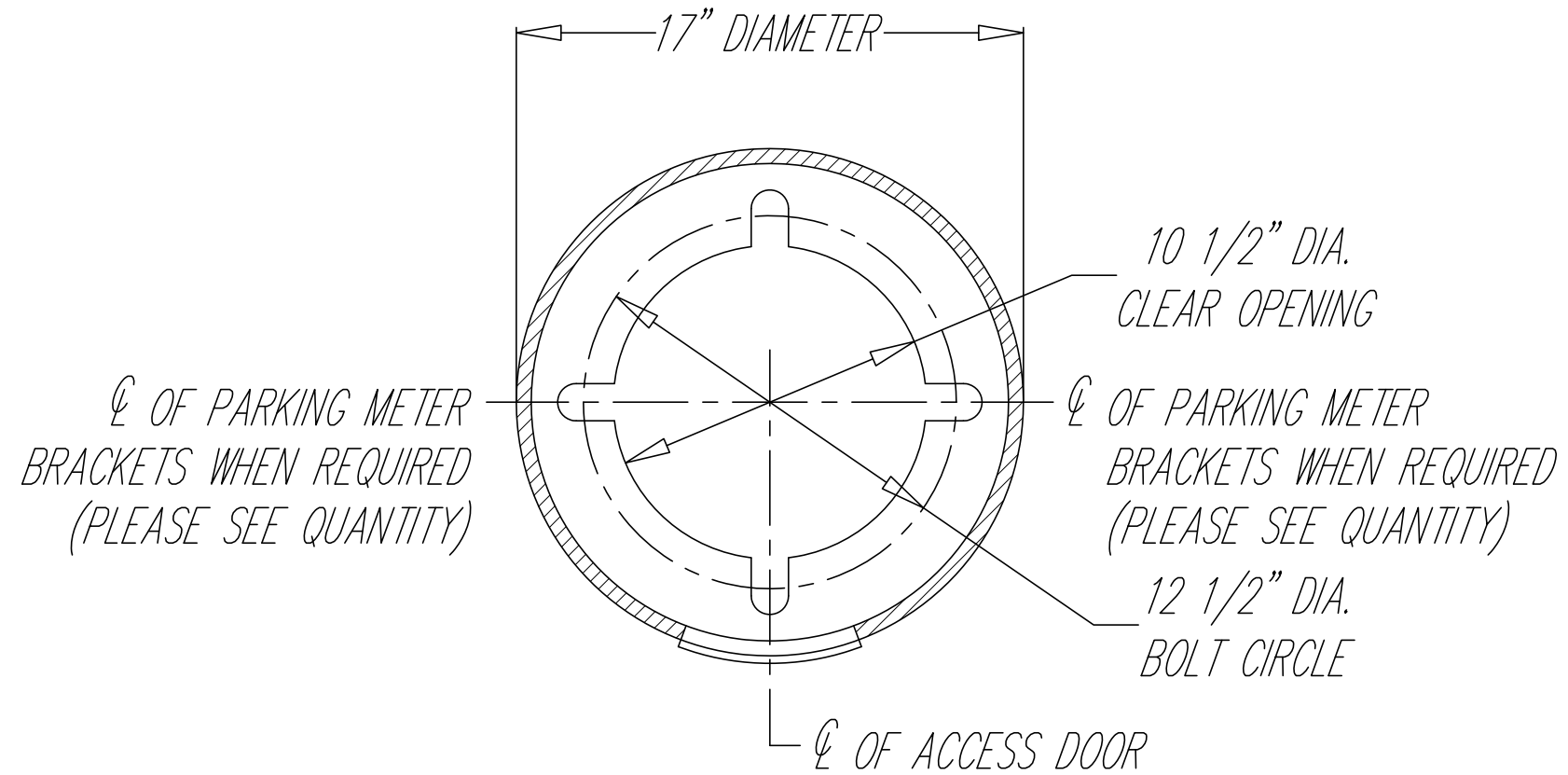
Plans and Drawings are products as noted, and as recommended by the manufacturer. These Drawings may not represent the latest updates as provided by the manufacturer, so it is up to the contractors or vendors to submit shop drawings to the City Engineering Department for approval to insure conformance with these specifications.

**CITY OF NEW HAVEN
DEPARTMENT OF ENGINEERING**

RICHARD H. MILLER, P.E., L.S. 9886
CITY ENGINEER

DRIVE:
C:\ENGINEER\DWG\CITYSTD\
FILE:
DETAILS\LIGHTING STANDARDS\2011 DETAILS
DATE:
JULY 1, 2011
DRAWING NO.:
LD-NH-18B

STREET SIDE



HOUSE/SIDEWALK SIDE

SECTION A-A
N.T.S.

TEMPLATE - SPRING CITY 12' DUCTILE IRON WASHINGTON VILLA POST
(PER DRAWING #'S LP-27400 & LP-27791)



Spring City Electrical Mfg. Co.

HALL AND MAIN STREETS - P.O. BOX 19 - SPRING CITY, PA. 19475
PHONE (610) 948-4000 - FAX (610) 948-5577 - WWW.SPRINGCITY.COM

DESCRIPTION	TEMPLATE FOR THE WASHINGTON / VILLA 12' LAMP POST		
CUSTOMER	CITY OF NEW HAVEN, CT		
JOB	CITY OF NEW HAVEN, CT		
SCALE	DRAWN BY:	DATE	DRAWING NO.
N.T.S.	_____	01-11-10	_____